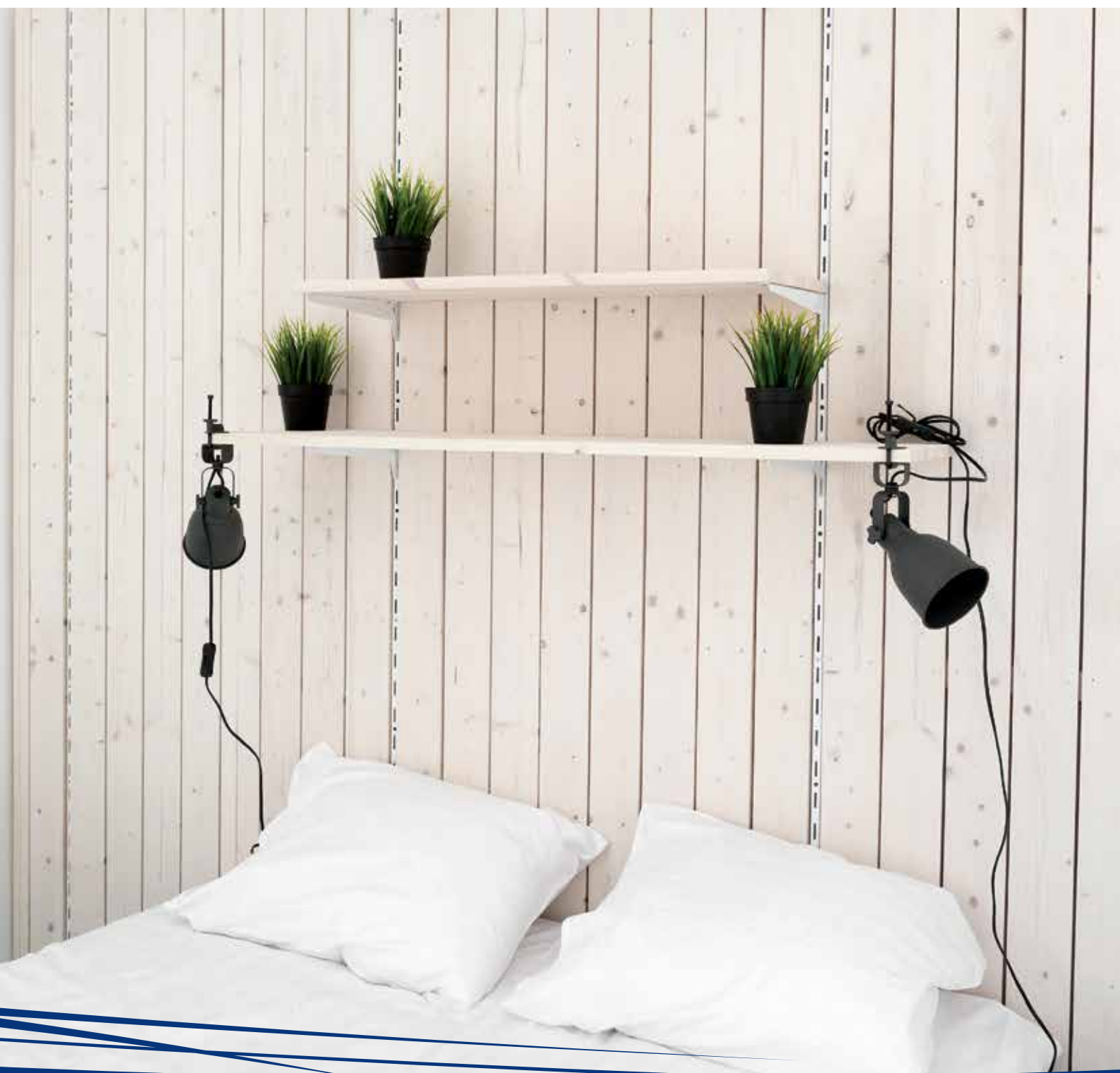


cowdroy

SHELVIT

SHELVING SYSTEMS



SHELVIT

SHELVING SYSTEMS

The SHELVIT shelving system is one of the most popular DIY shelving systems in Australia. The system is basically comprised of stripping, brackets, shelf rests and shelves. The stripping mounts to the wall or suitable panel and the brackets locate into the stripping to form the basis of the shelf.

WALL STRIPPING

SHELVIT stripping is manufactured from roll-formed steel, is punched in either single or double slot at 40.5mm pitch and is pre-cut to the most popular market sizes.

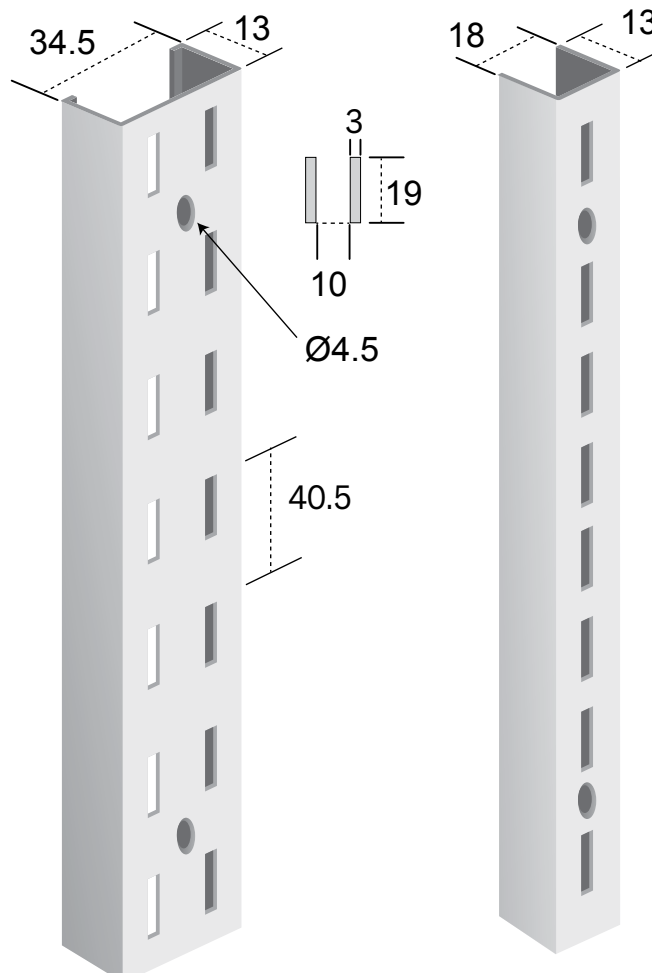
Grooved Wall Bracket Adaptors also available.



Stock Sizes and Colours of Stripping

Size	600	900	1200	1500	1800	2100	2400
White	S/S	S/S	S/S	S/S	S/S&D/S	S/S&D/S	S/S&D/S
Chrome	S/S	S/S	S/S	S/S	S/S&D/S	S/S&D/S	S/S&D/S

S/S = Single slot
D/S = Double slot



STANDARD SHELF BRACKETS

SHELVID brackets are made from **punched steel** and incorporate unique self-locking bracket lugs which hold the brackets firmly in the stripping while minimising the lateral shelf movement.

The brackets are made using a 40.5mm pitch (distance between lugs), which is the most common pitch used in Australia. A variety of standard sizes ensures that they are suitable for most decors.

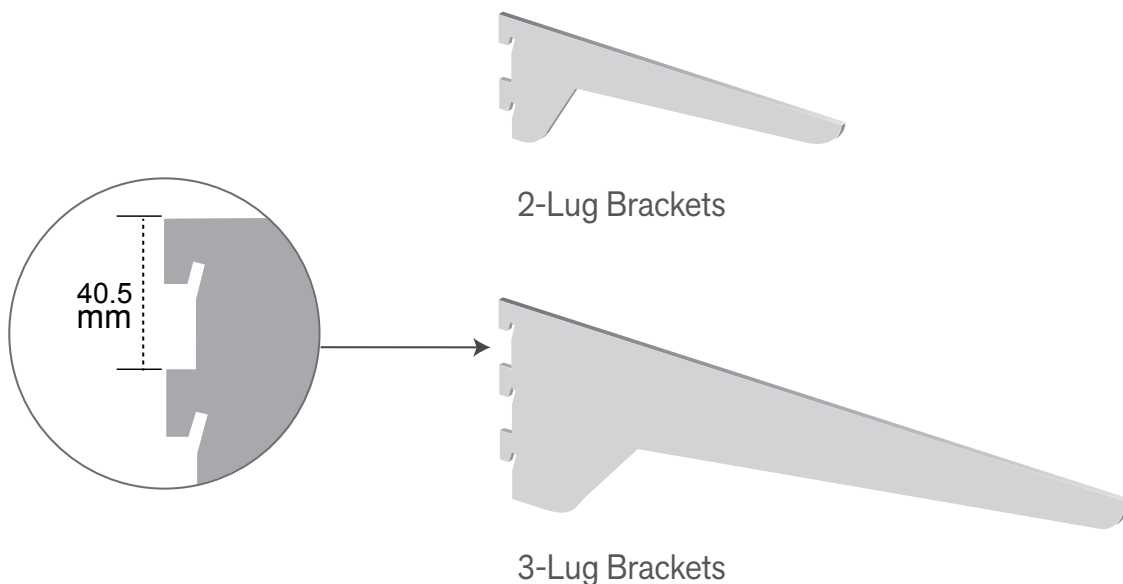
RECOMMENDED WEIGHT LOADINGS

Bracket Size	Max. Load
150mm	90 kg per bracket
200mm	70 kg per bracket
250mm	60 kg per bracket
300mm	60 kg per bracket
350mm	80 kg per bracket
400mm	75 kg per bracket
450mm	60 kg per bracket
500mm	45 kg per bracket

Stock Sizes and Colours of Stripping

Size	150	200	250	300	350	400	450	500
White	2/L	2/L	2/L	2/L	3/L	3/L	3/L	3/L
Chrome	2/L	2/L	2/L	2/L	3/L	3/L	3/L	3/L

2/L = 2 Lug
3/L = 3 Lug



The recommended maximum loads are based upon a failure point of bracket to wallstrip, not wallstrip to wall.
LOADINGS ARE ASSUMED TO BE STATIC LOADS SPREAD EVENLY OVER THE ENTIRE SHELF.

SHELVIT

SHELVING SYSTEMS

OTHER BRACKETS

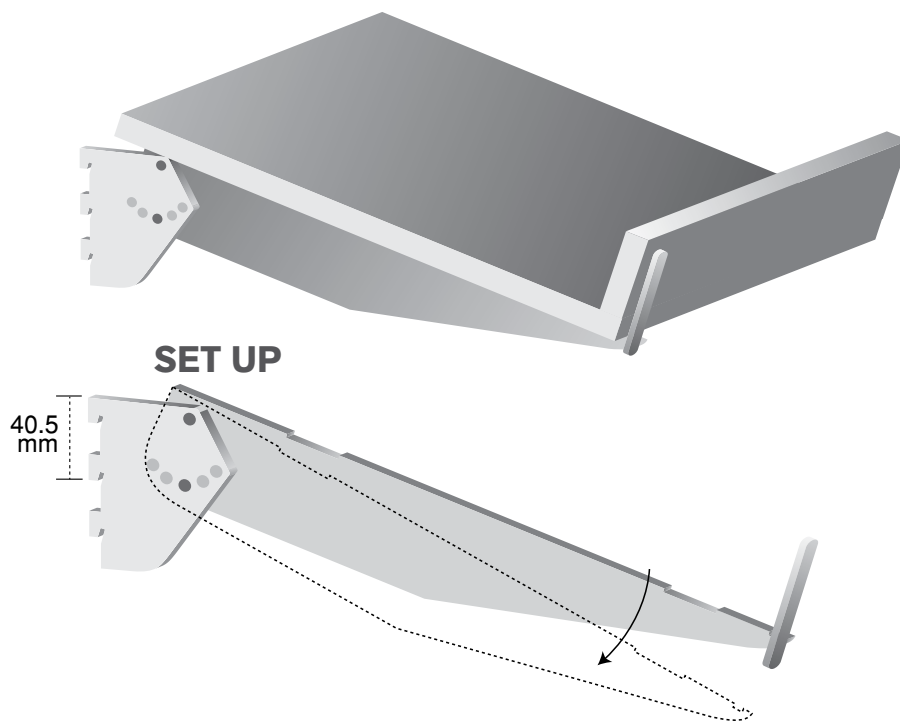
As well as the standard SHELVIT brackets, there are special purpose brackets for angled shelves and hang rails. These brackets are made to work basically the same as the standard brackets.

ADJUSTABLE ANGLE SHELF BRACKETS

These brackets are often used where angled shelves are required. They are made in two parts, a lugged backplate and a bracket blade, are rivetted together and are held on the angle by a wingnut and screw.

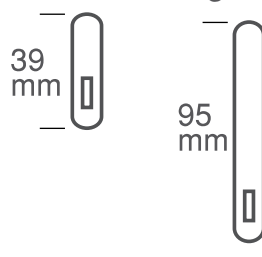
The backplates come in 2-lug for sizes from 150mm to 300mm and in 3-lug from 350mm to 450mm.

The bracket blade has 2 shelf rest locating cut-outs and a cut out for the optional tilt tips. The five angle settings, ranging from horizontal to 70° (in 17.5° increments), allow for versatility in product display.



TILT TIPS

Small Large



HANG RAIL (RING) BRACKETS

These brackets are used to hold a hanging rail (25mm O.D. tube) which is to support items such as coat hangers. The brackets are standard 3-lug type in 280mm and 350mm and have a ring welded to the tip.

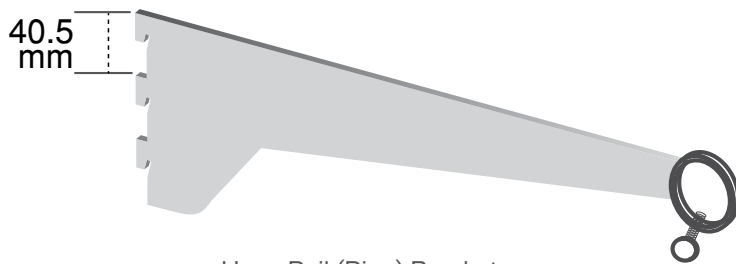
This ring will accept up to a 25mm diameter tube and has a thumb screw tapped into one side for stabilisation.

FULL RANGE OF TUBE AVAILABLE ON REQUEST

Stock Sizes and Colours of the Brackets & Tube

Size	150	200	250	280	300	350	400	450
White	A	A	A	R	A	A & R	A	A
Chrome	A	A	A	R	A	A & R	A	A

A = Adjustable Angle Bracket
R = Hang Rail Ring Bracket



Hang Rail (Ring) Brackets



Hang Rail Stop

SHELF RESTS

Optional plastic shelf rests can be used with either glass or timber shelves to reduce movement.

The rubber "grommet" helps minimise movement of glass shelves but may also be removed to allow for screwing to a timber shelf.

End Clip



With grommet

Centre Clip



With grommets

Square Clip



With pad

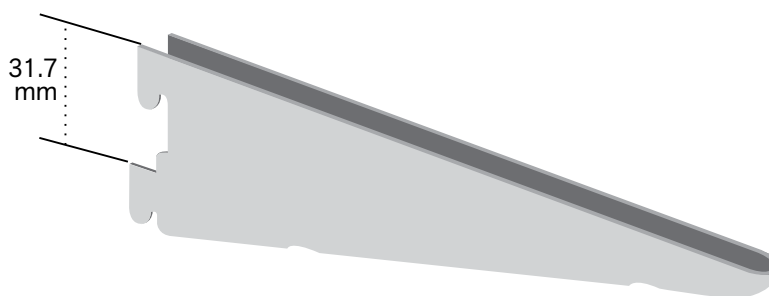
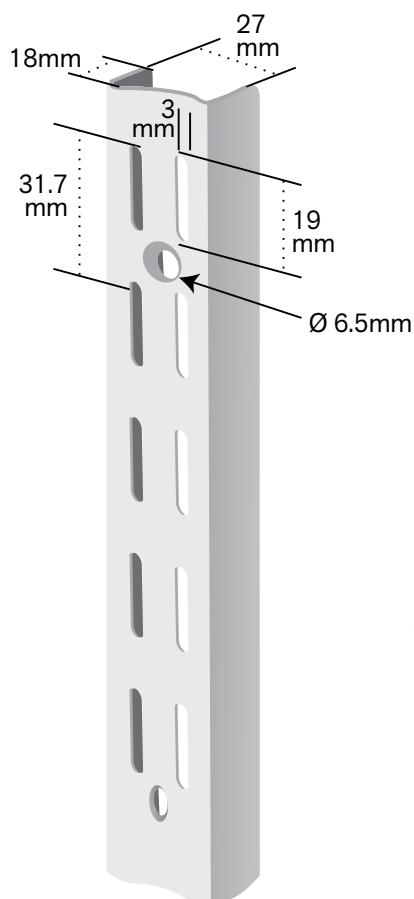
SHELVIT

SHELVING SYSTEMS

WALL STRIPPING AND DOUBLE SHELF BRACKETS 31.7MM PITCH

A sturdy, stable and simple to install shelving range. Popular 31.7mm retail slot pitch. Double slotted wall stripping with sunken face for added aesthetics.

Slimline shelf brackets with double lugs for increased strength. Durable melamine timber shelves in sizes to suit. Made from powder coated steel.



CODE	DESCRIPTION	COLOUR
SB13116	Double Stripping 420mm	White
SB13126	Double Stripping 710mm	White
SB13136	Double Stripping 990mm	White
SB13156	Double Stripping 1400mm	White
SB23116	Double Shelf Bracket 2-lug 130mm	White
SB23126	Double Shelf Bracket 2-lug 180mm	White
SB23136	Double Shelf Bracket 2-lug 230mm	White
SB23146	Double Shelf Bracket 2-lug 270mm	White
SB23156	Double Shelf Bracket 2-lug 320mm	White
SB23166	Double Shelf Bracket 2-lug 320mm	White
SB30616	Timber Shelf 600 x 150mm	White
SB30626	Timber Shelf 600 x 200mm	White
SB31216	Timber Shelf 1200 x 150mm	White
SB31226	Timber Shelf 1200 x 200mm	White
SB31236	Timber Shelf 1200 x 250mm	White
SB31246	Timber Shelf 1200 x 300mm	White

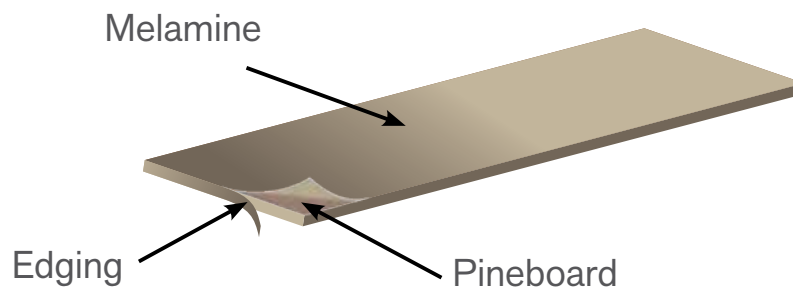
The recommended maximum loads are based upon a failure point of bracket to wallstrip, not wall strip to wall.
MAXIMUM LOAD 100kg per bracket
 Loadings are assumed to be static loads spread evenly over the entire shelf.

TIMBER SHELVES

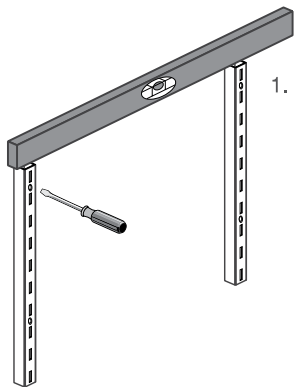
The SHELVIT system can be complimented by our range of timber shelves. These 16mm shelves are manufactured from pineboard and are finished in a coloured melamine.

Shelves are stocked in 600mm, 900mm & 1200mm wide x 150, 200, 250 & 300mm deep and are available in white.

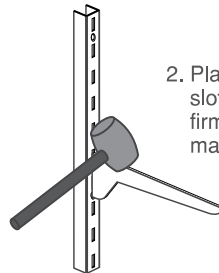
TIMBER SHELF STOCK SIZES		
600 x 150mm	900 x 150mm	1200 x 150mm
600 x 200mm	900 x 200mm	1200 x 200mm
600 x 250mm	900 x 250mm	1200 x 250mm
600 x 300mm	900 x 300mm	1200 x 300mm



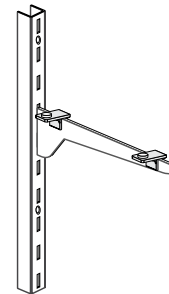
EASY TO FIX



1. Fix stripping to wall ensuring that they are vertical and level. Check that all stripping is the same way up. ie. Check that slots are in line.



2. Place brackets into slots and knock down firmly with a rubber mallet to lock into place.



3. Fit plastic clips to front & rear of each bracket and place shelf into position. For timber shelves rubber grommets may be removed and replaced by screws.



Cowdroy is an Australian company supplying industry leading door and window hardware to retail, trade and architectural outlets.

Established in 1890, Cowdroy specialises in door tracking systems, window and door

seals, replacement wheels & rollers, sliding glass cabinet tracking systems and door hardware.

For all our product information visit the Cowdroy website at: www.cowdroy.com.au

HEAD OFFICE SYDNEY

38 Redfern Street
Wetherill Park NSW 2164
Phone: (02) 9604 3000
Fax: (02) 9604 8129
Sales Fax: (02) 9609 3694

Melbourne

U1/34-36 Deans Court
Dandenong South, VIC 3175
Ph: 1800 269 376
Fax: (03) 9791 6759

Perth

2 Meares Way
Canning Vale, WA 6155
Ph: (08) 9455 5354
Fax: (08) 9455 5461

Launceston

ACCESS HARDWARE Pty Ltd.
Goodman Cres., Invermay 7248
Ph: (03) 6324 4900
Fax: (03) 6324 4901

Brisbane

U1/ 90 Pritchard Rd
Virginia, QLD 4014
Ph: (07) 3265 3311
Fax: (07) 3265 3733

WEBSITE

www.cowdroy.com.au

EMAIL

sales@cowdroy.com.au

NATIONAL CALL

1800 COWDROY (1800 269 376)

Auckland NZ

18 Kerwyn Ave, East Tamaki
Phone: (09) 274 7279
Fax: (09) 274 4453

Christchurch NZ

13B Parkhouse Rd, Sockburn
Phone: (03) 943 2060
Fax: (03) 943 2061

Adelaide

Unit 2/52 Wodonga St
Beverley, SA 5009
Ph: 1800 269 376
Fax: (02) 9604 8129

Townsville

U1/42 Carmel St,
Garbutt, QLD 4814
Ph: (07) 4779 5122
Fax: (07) 4725 5495

cowdroy



10073_9261_Shelvit_Sept16

