

CEMINTEL®

PRODUCT PORTFOLIO



PRODUCT SELECTION GUIDE

This matrix provides common applications of the products. For feedback regarding suitability of products for other specific applications, please contact Cemintel®.

	Product	Page	Type of Building		Where Used		Application							Finish		Joining Options		Installation Format (for walls and façades)					
			Residential - BCA Classes 1 & 10	Commercial & Other - BCA Classes 2-9	Internal	External	Façades & Cladding	Internal Linings	Flooring & Decking	Ceilings	Eaves/Soffits	Wet Areas	Rigid Air Barrier	Prefinished	Pre-Primed/Sealed	Raw/Unprimed	Express	Visible	Concealed (minimal visibility)	Horizontal	Vertical	Diagonal	Curved
Eaves & Soffits	Barestone™ External*	13	•	•	•	•			•*	•*		•			•	•							
	Eaves Lining Sheet	15	•			•								•		•							
	Edge Cladding*	17	•		•	•	•		•*	•*			•				•	•					
	SoffitLine®	19	•	•		•			•	•			•					•					
	Surround™	21	•	•	•	•	•	•	•*	•*			•			•	•						
	Wallboard	22	•	•	•			•	•		•			•		•	•	•					
Façades & Cladding	Aspect Cladding®	35	•		•	•	•	•					•					•	•	•			
	Barestone™ External	24	•	•		•	•		•			•			•				•	•	•	•	
	Cladding Sheet	47	•			•	•			•				•		•			•	•			
	Commercial ExpressPanel®	39	•	•		•	•						•		•				•	•	•	•	
	Commercial RendaLine®	49		•		•	•						•						•	^	•		•
	Compressed Sheets	51	•	•	•	•	•							•	•	•				•	•		
	Edge Cladding	37	•		•	•	•	•		•				•					•		•		
	Endeavour® Weatherboards	52	•			•	•							•					•	•			
	Headland® Weatherboards	54	•			•	•							•					•	•			
	Mosaic®	41	•			•	•							•		•				•	•	•	
	Plank (Smooth & Woodgrain)	56	•			•	•								•				•	•			
	Scarborough® Weatherboards	43	•			•	•							•					•				
	SimpleLine®	45	•		•	•	•	•						•					•	•	•		
	Surround™	26	•	•	•	•	•	•					•			•	•			•	•	•	
	Territory™	29	•	•	•	•	•	•					•				•	•		•	•	•	
Texture Base Sheet	58	•			•	•							•					•	•	•		•	
Flooring & Decking	Ceramic Tile Underlay	61	•		•			•											•				
	Compressed Sheet	62	•	•	•	•		•			•			•		•							
	Constructafloor®	63	•		•	•		•			•			•					•				
Internal Linings	Barestone™ Internal	65	•	•	•		•					•			•	•	•	•	•	•			
	Wallboard	66	•	•	•		•		•		•			•		•			•	•			
	Edge Cladding®	69	•		•	•	•		•	•				•					•				
	Surround™	70	•	•	•	•	•	•					•			•	•			•	•		
Territory™	72	•	•	•	•	•	•					•				•	•		•	•	•		
Air Barrier	Rigid Air Barrier™	75	•	•	•							•							•	•			

*Customised solutions can be provided upon request. Please contact Cemintel® on 1300 236 468.

^ vertical preferred

TABLE OF CONTENTS

01 INTRODUCTION	4	OTHER CLADDING	
About Cemintel®	5	Cladding Sheet	47
Our Products	5	Commercial RendaLine®	49
Sustainable Manufacturing	7	Compressed Sheets	51
Building Product Conformance and Compliance	7	Endeavour® Weatherboards	52
National Construction Code (NCC)	7	Headland® Weatherboards	54
The Building Code of Australia (BCA)	8	Plank (Smooth & Woodgrain)	56
Achieving a Building Solution	9	Texture Base Sheet & Coating Systems	58
Local Government Requirements	9		
Fire	10	04 FLOORING & DECKING	60
Bushfire Attack Levels (BALs)	11	Ceramic Tile Underlay	61
Product Warranty	11	Compressed Sheet (15mm, 18mm, 24mm)	62
Technical Data Sheets	11	Constructafloor®	63
Safety Data Sheets	11		
02 EAVES & SOFFITS	13	05 INTERNAL LININGS	64
Barestone™	14	Barestone™ Internal	65
Eaves Lining Sheet	16	CeminSeal® Wallboard	66
Edge Cladding	18	Edge Cladding	69
Soffitline®	19	Surround™	70
Surround™	21	Territory™ featuring Designer Series Fixing System	72
CeminSeal® Wallboard	22		
03 FAÇADES & CLADDING	23	06 AIR BARRIER	74
PREFINISHED		Rigid Air Barrier™	75
Barestone™ External	24		
Surround™	26	07 SAFETY, HANDLING AND GENERAL CARE	76
Territory™ featuring Designer Series Fixing System	29		
MODERN CLADDING			
Aspect Cladding®	35		
Commercial ExpressPanel®	39		
Edge Cladding	37		
Mosaic®	41		
Scarborough® Weatherboards	43		
SimpleLine®	45		

01

INTRODUCTION

INTRODUCTION



About Cemintel®

Cemintel® is part of the Australian owned icon, CSR Building Products company, manufacturing and supplying cement panels and building systems used for external façades, internal linings, ceilings and flooring which are suitable for use in commercial and residential applications.

Cemintel® locally manufactures at Wetherill Park, NSW to AS/NZS 2908.2:2000. The factory utilises a full steel template process to produce a variety of fibre cement products. This method provides a smoother and flatter sheet than non-steels or sheet-on-sheet manufacture process, and sets the Cemintel® products apart from others in the market.

The factory at Wetherill Park has a strict testing regime that regularly checks raw materials and finished product to ensure compliance with AS/NZS 2908.2:2000. In addition, products are tested in accordance with asbestos identification to 'AS4964 – Method for the Qualitative Identification of Asbestos in Bulk Samples'.

Cemintel® has established global partnerships with leading manufacturers to obtain new product technology to meet our ever-changing market demands.

Products are covered by warranty to perform to relevant Australian Standards and Building Code requirements, and solutions are provided to meet fire, acoustic and thermal requirements to service all segments of the construction industry.

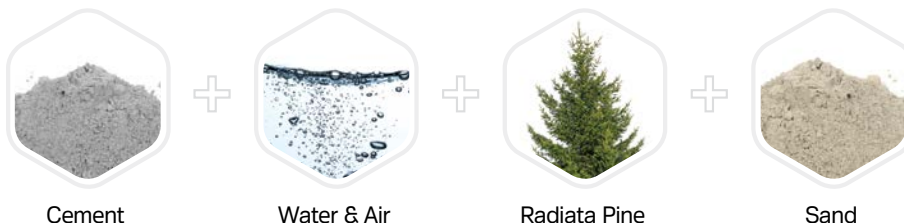
Products that are imported are subject to a strict testing protocol. While documentation is provided from the country of origin, independent testing is also conducted in Australia by a National Association Testing Authority (NATA) accredited company. Products are not released into the market until testing results are cleared.

With more than 20 years' history, Cemintel® has made some innovative contributions to the building industry including the introduction of CeminSeal® water block technology in 2010. Locally made Barestone™ products, a favourite of the design community, launched in 2012, and were quickly followed by other prefinished product ranges such as Territory™ and Surround™.

Products are available nationally through a significant distribution footprint. It is an agile business that works to add value through solving specific project and customer needs with technical support from Cemintel® via the DesignLINK® team.

Our Products

Fibre cement products are made from natural ingredients. [Ground Sand (Silica), Cement, Air, Water, Radiata Pine, Additives e.g. sealers]. Fibre cement does not contain magnesium chloride (salt).



Cement

Water & Air

Radiata Pine

Sand

Fibre cement products are deemed non-combustible according to the National Construction Code (NCC) Vol. 1 Section C1.12 and Volume 2 Section 3.7.1.2. Cemintel® fibre cement linings have been assessed with reference to AS3837 as Group 1 materials. Group 1 is the highest rating and allows the material to be used as a wall or ceiling lining in all building areas.

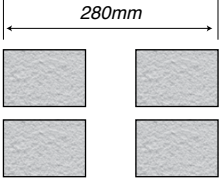

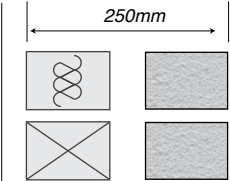

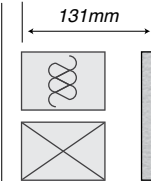

INTRODUCTION

Fibre cement products are becoming more popular in building due to a number of properties of the material:

- Durability
- Fire resistance
- Impact resistance
- Moisture resistance
- Termite resistance

In addition to these material properties, fibre cement products provide significant design flexibility.

- Material Choice.** With many different profiles, thicknesses, sizes, colour and textures available, they can be mixed and matched to produce amazing and beautiful buildings.
- Durable and low maintenance.** Fibre cement products do not swell or warp, especially when compared to timber. They also hold colour very well so they don't need frequent repainting which can happen with some other products such as timber and render products. Prefinished options are also available.
- Increased speed of construction & easy to install.** Fibre cement products and systems can increase speed of construction through less trades being required (eg bricklayers & brick cleaners) and scaffold hire reduction. This can assist reaching lockup stage sooner.
- Maximise Design Footprint.** With clever design, extra space can be added to the internal floor area, living and storage spaces from fibre cement construction. With products and systems that fix directly to the frame, this can reduce wasted space and walls can be thinner than traditional construction methods. As an example:

Material	Wall Thickness	Lost Space on 15m X 15m Slab (225m ²)
Double Brick		
Brick Veneer 90mm Stud 10mm Plasterboard		
Territory™ 16mm Panel 15mm Cavity 90mm Stud 10mm Plasterboard		

Asbestos

Cemintel® started manufacturing products at Wetherill Park, New South Wales, in 1996. This factory facility has never used asbestos to manufacture fibre cement products. The products are manufactured to AS/NZS 2908.2:2000.

The factory has a strict testing regime that regularly checks raw materials and finished products to ensure their compliance with the Standard.

Products that are imported also have a strict testing regime to ensure compliance with the Standard and Cemintel® quality requirements.

Both locally manufactured and imported products are tested in accordance with asbestos identification to 'AS4964 – Method for the Qualitative Identification of Asbestos in Bulk Samples'.

Should you require further clarification on asbestos, please contact Cemintel® on 1300 236 468.

INTRODUCTION



Sustainable Manufacturing

Cemintel® focuses on the following areas of sustainability in manufacturing:

Water/Solid Management	Water is a critical element to producing fibre cement, and requires sustainable and responsible water management systems. The vast majority of process water used during the manufacture process is recycled on site or taken off site to be converted into a soil conditioner or as a road base. Waste concrete can be used in landfill.
Recycling	At the end of each autoclave cycle, the used steam is either transferred to another autoclave for re-use or transferred into tanks, converted into condensate and cooled down with the aid of cooling towers. This water is eventually treated with the rest of the process water from other parts of the plant. This ultimately helps with reducing odour concentration and minimises potential emissions.
Lower Embodied Energy	Fibre cement has a significantly lower embodied energy than traditional masonry materials. According to Dr. Bill Lawson in his study into Building Materials, Energy and The Environment, the embodied energy of a timber frame, fibre cement weatherboard wall is 169 MJ/sqm*, whilst the embodied energy of a cavity clay brick wall is 860MJ/sqm*. Such factors are recognised worldwide and have led the Building Research Establishment in the UK to award wall systems using fibre cement cladding an A+ rating in its Green Guide to Specification. <small>*Building Materials Energy and the Environment Towards Ecologically Sustainable Development, Dr Bill Lawson, 1996</small>
VOCs	Prefinished products are coated with various sealers. The amount of VOCs is minimal and well within the levels recommended by the Green Building Council.

Building Product Conformance and Compliance

There is a high level of regulation within the building industry to help ensure buildings are constructed with compliant and conforming building materials. This has become an extremely important topic in Australia over the past couple of years due to issues with building products with poor fire properties and asbestos contamination in imported products. In addition to Building Product Conformance and Compliance, the industry has a strict regulatory

environment to ensure construction in Australia is safe and meets certain standards.

Below is some guidance from the 'Australasian Procurement and Construction Council – A guide on achieving compliance' which helps explain the interconnectedness of the regulatory bodies and product compliance requirements.

A copy of the complete guide can be downloaded from www.apcc.gov.au

National Construction Code (NCC)

The NCC is developed and published by the Australian Building Codes Board (ABCB). The NCC details the minimum necessary standards of performance for all buildings in relation to health, safety (including structural safety and safety from fire), amenity and sustainability.

The NCC series currently comprises of the following three volumes:

- Volume One: Building Code of Australia Class 2 to Class 9 Buildings.
- Volume Two: Building Code of Australia Class 1 and Class 10 Buildings.
- Volume Three: Plumbing Code of Australia

The Australian Government and all State and Territory Governments are signatories to an Intergovernmental Agreement which commits them to supporting the ABCB, and commits them to the adoption of the

NCC through their respective building and plumbing legislation.

The NCC calls up 'referenced documents' such as Australian Standards and some industry developed standards to provide technical details for the performance of construction products.

Construction work not covered by the NCC, such as infrastructure and unique structures, is subject to the standards nominated by the relevant designer/engineers and contract documentation.

In all cases, the relevant designer/engineer should nominate, through plans and specifications, those standards that must be met by the construction products used. The relevant designer/engineer should also specify what level of evidence should be accepted as proof that a building product meets the specified standard.

The Building Code of Australia (BCA)

In respect to building product conformance, the BCA provides a framework for procurers to use by:

- setting an objective for the performance of a building
- setting out the relevant performance requirements for a building and its construction materials
- referencing relevant minimum technical standards for product performance.

For building Classes 2 to 9 (NCC Volume One), Part A2.1 of the BCA requires that:

Every part of a building must be constructed in an appropriate manner to achieve the requirements of the BCA, using materials that are fit for the purpose for which they are intended.

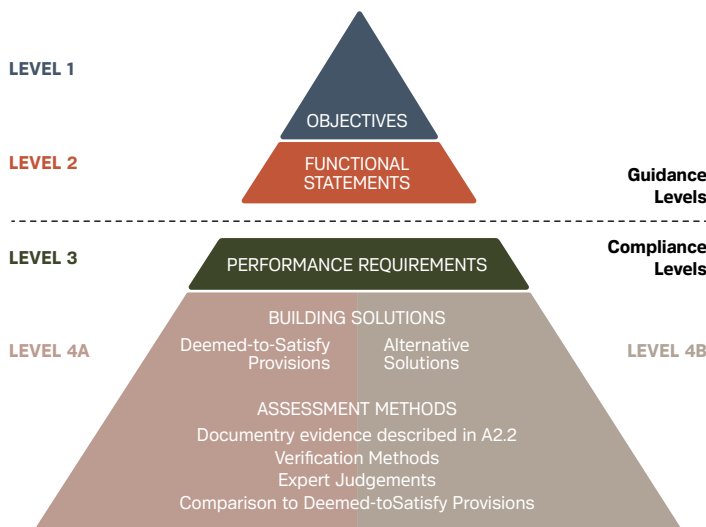
For building Classes 1 and 10 (NCC Volume Two), Part 1.2.1 of the BCA requires that:

Every part of a building must be constructed in an appropriate manner to achieve the requirements of the Housing Provisions, using materials that are fit for the purpose for which they are intended.

The BCA is referred to as a performance-based document in that it provides flexibility when designing a building. The performance requirements set out the minimum standards a building must achieve in relation to such things as the structure, damp and weatherproofing, fire safety, health and amenity, safe movement, access and egress and energy efficiency.

The flexibility allowed under the performance-based BCA means that constructors are not locked in to a specific construction method and are able to achieve compliance in several ways. To that end, the NCC allows for a number of methods to achieve a building solution, provided the method adopted complies with the performance requirements set out for each aspect of the design. The hierarchy of the BCA is shown below:

FIGURE 1.01 The Building Code of Australia Hierarchy



- **Level 1 (Objectives):** Statements that outline the reason/driver for the requirements of the Code.
- **Level 2 (Functional Statements):** Statements which describe how a building, in a functional sense, could fulfil the Objectives.
- **Level 3 (Performance Requirements):** Descriptions of the level of performance to be achieved by building products, design and construction, in order to satisfy the Functional Statements and Objectives.
- **Level 4 (Building Solutions):** An outline of two methods (the 'Deemed-to-Satisfy Provision' and the 'Alternative Solutions') that can be followed to demonstrate compliance with the Performance requirements in the BCA.

INTRODUCTION



Achieving a Building Solution

In designing and constructing an appropriate building solution that complies with the performance requirements in the BCA, one of two options must be followed:

Option 1: Deemed-to-Satisfy Provisions

The most common method to achieve a building solution is to adopt the Deemed-to-Satisfy Provisions which represent accepted compliance options for each Performance Requirement. Deemed-to-Satisfy Provisions are provided in both volumes of the BCA. In Volume One, there is only one option setting out the technical requirements as Deemed-to-Satisfy Provision. In Volume Two, there are generally two options – an ‘Acceptable Construction Practice’ (ACP) which is the technical information specified in the BCA or an ‘Acceptable Construction Manual’ (ACM) which generally includes reference to an Australian Standard for the particular building element (e.g. Part 3.4.3 Timber Framing refers to AS 1684.2-2010 Residential timber-framed construction – Non-cyclonic areas).

Option 2: Alternative Solutions

A Building Solution can also be achieved by way of an ‘Alternative Solution’ which meets the Performance Requirements. This performance-based concept allows for increased design scope and acknowledges that, while the objectives of the BCA need to be consistently met, there are multiple ways to do this. It is critical that any Alternative Solutions which rely on the procurement of construction products are clearly documented.

If a design or element of a design does not meet the Deemed-to-Satisfy Provisions, it can still comply with the BCA if it can be demonstrated that the Alternative Solution complies with the relevant Performance Requirements. This method, known as an Alternative Solution, is permitted to demonstrate conformance.

Evidence must be supplied to support the Alternative Solution, and that evidence must show how the use of a product or form of construction will meet the BCA performance requirements. There are a variety of assessment methods which can be used to determine the suitability of the alternative solution. These are set out in the BCA and include:

- Providing evidence to support that the product, form of construction or design meets a Performance Requirement (such as reports from Registered Testing Authorities – for example, Codemark).
- Providing Verification Methods such as a test, inspection, calculation or other method that determines whether a Building Solution complies with the Performance Requirements.
- Making comparisons with the Deemed-to-Satisfy Provisions that may be issued by the appropriate authority.
- Providing an Expert Judgement about the Alternative Solution.

When used, the Alternative Solution design, including how it purports to meet the relevant Performance Requirements, must be documented and included as part of the building permit application. It must be approved by the building surveyor or approving authority before work commences.

Local Government Requirements

In addition to the NCC and BCA requirements, local Government bodies are also involved with building regulation. The regulations that they are associated with can be broadly categorised as follows:

Development Control: Local councils have power over development assessments and are able to grant approval, grant approval with conditions, or refuse an application. The controls regulate allowable densities, height, external design and siting, building materials, open space provisions, and in some jurisdictions the level of developer contribution required to cover physical and/or community infrastructure costs arising from the proposed development. Local councils also have control over the demolition of buildings.

Land release/supply, subdivision control and infrastructure provision: The level of control over

subdivision varies between jurisdictions. Where local councils do have control, this includes discretion over engineering standards for roads, drainage, allotment size and, in some jurisdictions, water and sewerage arrangements. Although local government has a significant role in infrastructure provision, it plays a more limited role in relation to land release/supply and coordination, especially in the major capital cities.

Building regulation: Local government does not set building regulations, it administers them in accordance with the Building Code and planning and building by-laws (for example relating to matters such as bushfires, water, waste management, salinity and energy efficiency). Where applications do not conform with the building regulations they are generally rejected in the first instance.

01

INTRODUCTION

Fire

Cemintel® cladding, weatherboards and façade products are deemed as a non-combustible material in accordance with C1.12 and part 3.7.1.2 of the National Construction Code (NCC).

They are suitable for use where non-combustible building materials are required.

For residential buildings covered by Volume 2 of the NCC, clause 3.7.1.2 specifically indicates that fibre cement is suitable for use where non-combustible materials are required.

For residential and commercial buildings covered by Volume 1 of the NCC, clause C1.12 similarly indicates that fibre cement is suitable for use where non-combustible materials are required.

Fire testing has been carried out by independent industry Registered Testing Authorities (RTAs).

If you have specified fibre cement products previously, be assured that they meet the requirements of the NCC 2016 Building Code of Australia (BCA). The Code states as follows:

Objective

CO1

The objective of this Section is to:

- a) safeguard people from illness or injury due to a fire in a building; and
- b) safeguard occupants from illness or injury while evacuating a building during a fire; and
- c) facilitate the activities of emergency services personnel; and
- d) avoid the spread of fire between buildings; and
- e) protect other property from physical damage caused by structural failure of a building as a result of fire.

Basis of Objective

This Objective is based on the belief that a building should:

- provide people with an environment which, during a fire, will minimise the risk of them suffering illness or injury;
- provide people with an evacuation route which will minimise the risk of them suffering illness or injury while escaping a fire;
- facilitate the role of emergency services personnel, such as the fire brigade, if it becomes necessary for them to undertake such operations as fire-fighting and search and rescue;
- assist in minimising the risk of fire spreading from one building to another; and
- not have a structural failure during a fire that results in damage to another building, allotment or road.

Non-combustible Materials

The BCA allows the use of fibre cement where non-combustible material is required under Vol 1, Section C1.12.

Cemintel® fibre cement achieves a '0' Flame Spread result (on a scale of 1 to 10 with 0 representing the best possible result) when tested in accordance with AS/NZS 1530.3. Under this test, fibre cement also achieves '0' for ignitability and heat evolved, and '0-1' for smoke developed.

Fire Resistance Levels (FRLs)

FRLs are measured in accordance with AS/NZS 1530.4. This method of testing is based on a full system as opposed to individual system components. Cemintel® products have been tested in multiple wall system configurations to determine the respective FRL of these systems. Refer to the 'Gyprock Red Book' for Fire and Acoustic Rated Walls or product specific Design & Installation Guides for further information.

INTRODUCTION



Bushfire Attack Level (BAL) Rating

A BAL rating is a means of measuring the severity of a building's potential exposure to ember attack, radiant heat and direct flame contact. It's measured in increments of radiant heat (expressed in kilowatts/m²).

A BAL is the basis for establishing the requirements for construction (under the Australian Standard AS 3959-2009 Construction of Buildings in Bushfire Prone Areas), to improve protection of building elements from bushfire attack.

Once assessed, your site/property/asset will be defined to one of six BAL ratings:



BAL-FZ

Direct exposure to flames from the fire front in addition to heat flux of greater than **40kW/m²** and ember attack.

BAL-40

Increasing levels of ember attack and ignition of debris with an increasing heat flux of up to **40kW/m²** and increased likelihood of exposure to flames

BAL-29

Increasing levels of ember attack and ignition of debris with an increasing heat flux of up to **29kW/m²**

BAL-19

Increasing levels of ember attack and ignition of debris with an increasing heat flux of up to **19kW/m²**

BAL-12.5

Ember attack with heat flux of up to **12.5kW/m²**

BAL-Low

There is insufficient risk to warrant specific construction requirements

- **BAL – Low:** There is insufficient risk to warrant specific construction requirements.
- **BAL – 12.5:** Ember attack.
- **BAL – 19:** Increasing levels of ember attack and burning debris ignited by windborne embers, together with increasing heat flux.
- **BAL – 29:** Increasing levels of ember attack and burning debris ignited by windborne embers, together with increasing heat flux.
- **BAL – 40:** Increasing levels of ember attack and burning debris ignited by windborne embers, together with increasing heat flux and with the increased likelihood of exposure to flames.

- **BAL – FZ:** Direct exposure to flames from fire, in addition to heat flux and ember attack.

The image above shows the various BAL ratings and the radiant heat flux for each rating. The greater the distance from the fire the lower the heat flux and therefore the construction standard is lower.

Where your building is greater than 100m from any classified vegetation the BAL rating will be BAL-LOW and will not require any special construction requirements. Where there is a risk or potential that ember attack could affect your home we recommend that BAL – 12.5 is applied.

BAL ratings for all Cemintel® products are available for download at cemintel.com.au/technical

Product Warranty

Product warranties are available for download at cemintel.com.au/technical

Technical Data Sheets

Comprehensive Technical Data Sheets are available for download at cemintel.com.au/technical

Safety Data Sheets

All Safety Data Sheets relating to Cemintel® products are available for download at cemintel.com.au/technical

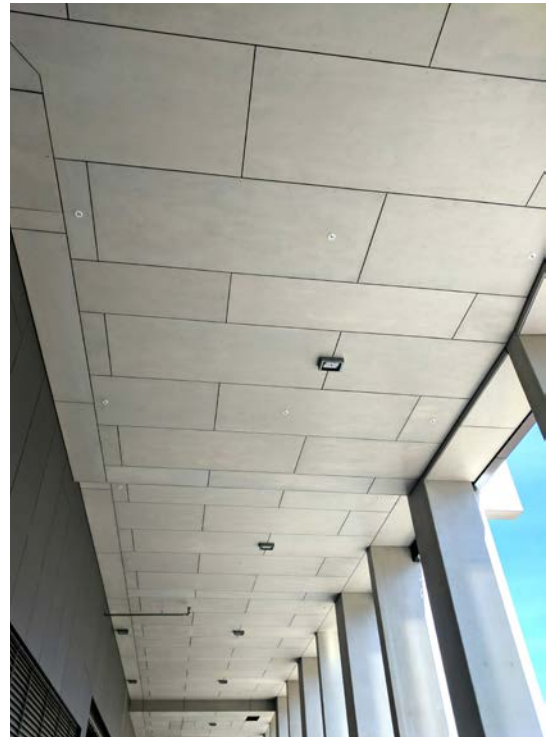
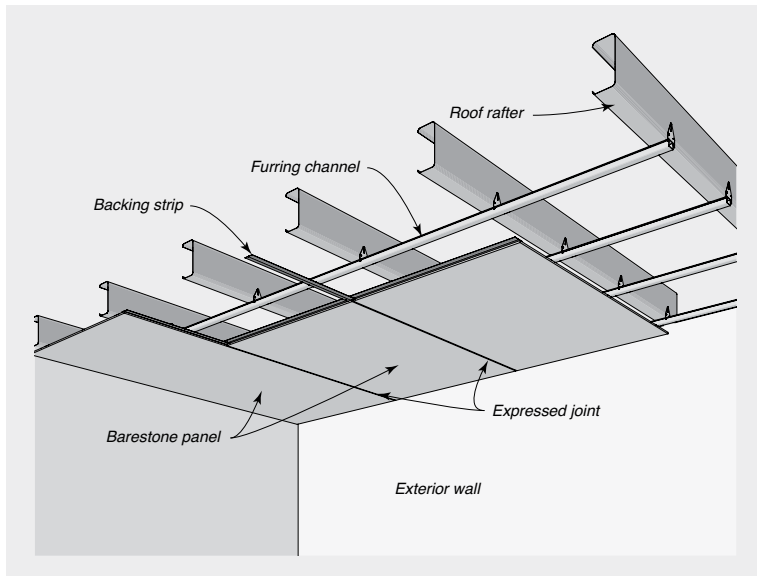
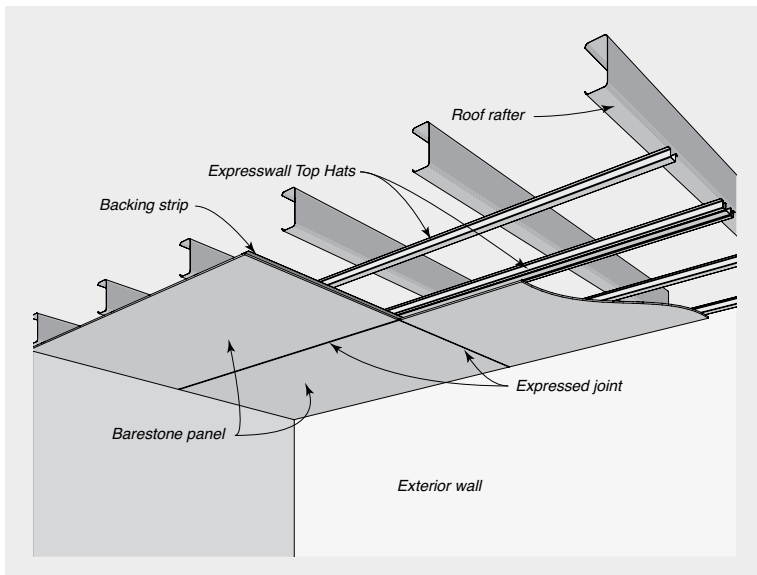
Typical Layouts/System Overview Diagrams

The diagrams contained in the following sections are indicative only. Should you require detailed product installation information, please refer to the relevant Design & Installation Guide/Technical Manual available for download from the Cemintel® website. Alternatively, contact Cemintel® on 1300 236 468 or DesignLink on 1800 621 117.



EAVES & SOFFITS

02

EAVES & SOFFITS
BARESTONE™**FIGURE 2.01** 6mm Barestone™ Battens**FIGURE 2.02** 9mm Barestone™ ExpressWall Top Hats

Barestone™ provides significant design flexibility. If used internally or externally as a wall cladding, the look can continue through to ceilings eaves and soffits.

Barestone™ is manufactured in Australia and can be fixed to timber or steel frames.

Product Code	Thickness (mm)	Width (mm)	Length (mm)	Mass (Nominal)	Panels per pack
132634*	6	1200	3000	11.9kg/m ²	Special Order
99487*	9	1200	2400	17.8kg/m ²	20
99486*	9	1200	3000	17.8kg/m ²	20

*Customised solutions can be provided upon request. Please contact Cemintel® on 1300 236 468.

All dimensions and masses provided are approximate only and are subject to manufacturing tolerances.

EAVES & SOFFITS
BARESTONE™

Accessories

Product Code	Description	UOM
100166	Cemintel® Edge Sealer 200ml	Each
21089	ExpressWall® Backing Strip 1194mm	Each
21088	ExpressWall® Backing Strip 2394mm	Each
21087	ExpressWall® Backing Strip 2994mm	Each
84882	ExpressWall® Hex Head Screws 12-14Gx20mm Class 3 Pk1000	Each
134082	ExpressWall® Horizontal Gasket Tape Gaska 4700 Self Adhesive 3.0x18mmx12m	Each
114070	ExpressWall® Screws 10Gx30mm Wafer Hd Class 3 Pk1000	Each
122235	ExpressWall® Screws 10Gx35mm - Wafer Hd 302 SS Box1000	Each
39124	ExpressWall® Top Hat 1.15BMT 6000mm	Each
133978	ExpressWall® Vertical Gasket Tape Gaska 1510 Self Adhesive 3.2x48mm 23m	Each
21086	Intermediate Top Hat 1.15BMT 3600mm	Each
21083	Intermediate Top Hat 1.15BMT 7200mm	Each
165486	Makita 165mm FC Blade	Each
39378	Sikaflex 11FC 310ml Grey (Backing Strip Adhesive)	Each
39488	Sikaflex Sealant PRO-2HP (310ml tube) Black	Each
11378	Sikaflex Sealant PRO-2HP (310ml tube) Grey	Each
12884	Top Hat H515 15x50x15mm 1.15BMT 3600mm	Each
100896	Top Hat H515 15x50x15mm 1.15BMT 7200mm	Each

02

EAVES & SOFFITS
EAVES LINING SHEET

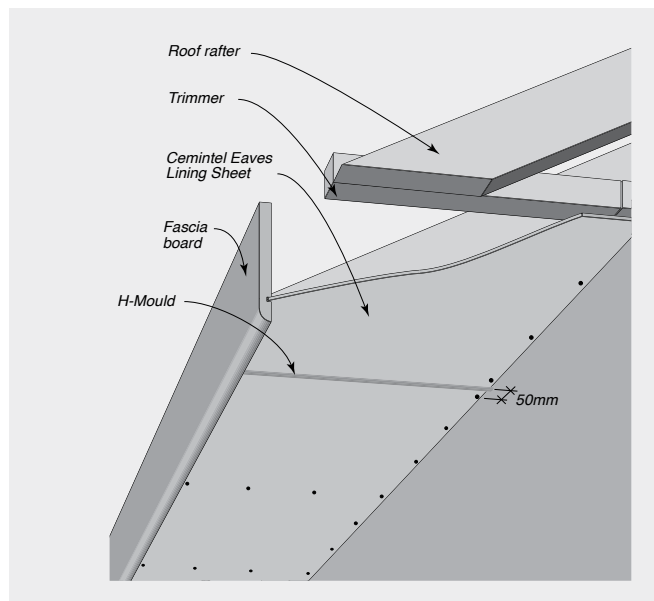
Specifically designed for use in the lining of residential eaves, Cemintel® Eaves Lining sheets are manufactured in Australia and are sized to suit standard eaves widths.

The joints are covered with H moulds or cover moulds.

The sheets should be coated with an exterior paint system for a durable, low maintenance lining.



FIGURE 2.03 Typical Eaves Fixing Layout



Product Code	Thickness (mm)	Width (mm)	Length (mm)	Mass (Nominal)	Panels per pack
10217	4.5	450	2400	7.3kg/m ²	60
10218	4.5	600	2400	7.3kg/m ²	60
10219	4.5	750	2400	7.3kg/m ²	30

EAVES & SOFFITS EAVES LINING SHEET



Product Code	Price Group	Description	UOM
Accessories			
11177	F35	Backing Rod 10mmx50m	Each
11387	F35	Capping Mould PVC 4.5mmx3000mm	Each
11384	F35	Capping Mould PVC 6mmx3000mm	Each
11205	F35	Corner Flashing PVC 50x50mmx2400mm	Each
11176	F35	Corner Mould PVC 50x50mmx3000mm	Each
11190	F35	Cover Strip PVC 6x38mmx3000mm	Each
114070	F37	ExpressWall Screws 10Gx30mm Wafer Hd Class 3 Pk1000	Each
11195	F35	External Corner PVC 4.5mmx3000mm	Each
11194	F35	External Corner PVC 6mmx3000mm	Each
11264	F35	H Mould PVC 4.5mmx2400mm	Each
11266	F35	H Mould PVC 4.5mmx3000mm	Each
11255	F35	H Mould PVC 6mmx3000mm	Each
11330	F35	Internal Corner PVC 4.5mmx3000mm	Each
11327	F35	Internal Corner PVC 6mmx3000mm	Each
77226	A20	Nails Fibre Cement 30x2.8mm Galv Pack2.5kg	Each
125614	A21	Screws 10G-18x30mm FibreTEKS CSK Rib Hd Class4 Pk1000	Each
118224	F47	Screws 10G-18x30mm FibreTEKS Csk Rib Hd Collated Pk1000	Each
125651	A21	Screws 18x25mm FibreTEKS Class4 10G M4.8mm Pk1000	Each
118225	F47	Screws 9-18x25mm FibreTEKS Csk Rib Hd Class 4 Collated Pk1000	Each
13172	F35	Sealant Bond Breaker Tesa Multifoam 7492 3x48mmx25m	Each
115227	A44	Sika Primer 3 250ml	Each
44510	F35	Sikaflex 11FC 310ml Black (Backing Strip Adhesive)	Each
39488	F35	Sikaflex Sealant PRO-2HP (310ml tube) Black	Each
11378	F35	Sikaflex Sealant PRO-2HP (310ml tube) Grey	Each
129333	F35	Thermal Break 6x38x1200mm Pk459LM (where fixing to metal)	Each
Cavity Fix			
125431	F35	Cavity Batten 19mmx2700mm	Each
134426	F47	Eave Trim External Corner White	Each
134429	F47	Eave Trim Internal Corner White	Each
134451	F47	Eave Trim White 3030mm	Each
134845	F35	J Track PVC Cavity Vent Strip 19x19x70mmx3000mm	Each
165486	F69	Makita 165mm FC Blade	Each
127799	F35	Nails 2.8x50mm D Head Galv Collated Pk3000	Each
127801	F35	Screws 8-10x50mm CSK Rib Head Class3 Pk1000	Each
134452	F47	Soffit Trim 18mmx3030mm	Each
134431	F47	Soffit Trim External Corner 18mmx76.5mmx76.5mm	Each
134432	F47	Soffit Trim Internal Corner 18mmx91.5mmx91.5mm	Each

02

EAVES & SOFFITS
EDGE CLADDING

A versatile product within the portfolio, Edge Cladding can be used in eaves, soffits and ceilings, as well as on internal and external walls.*

It is an efficient way to add a tongue and groove-like texture for visual interest, on both timber and steel frames.



FIGURE 2.04 Edge Cladding

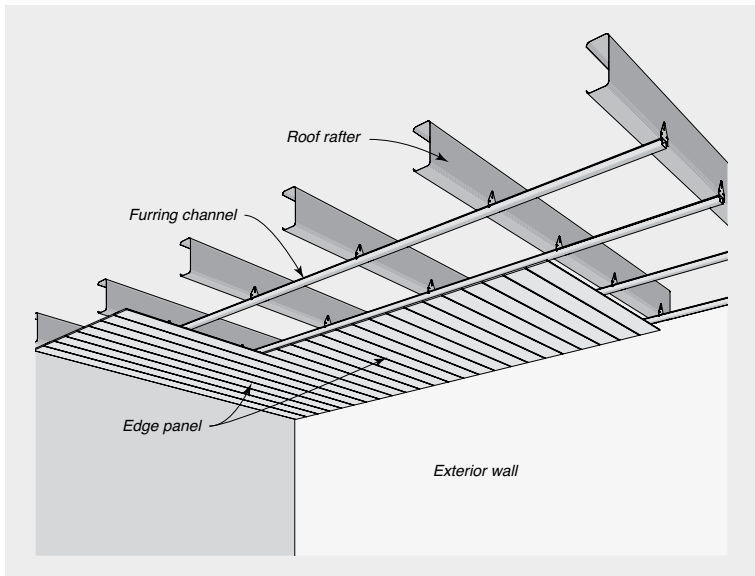
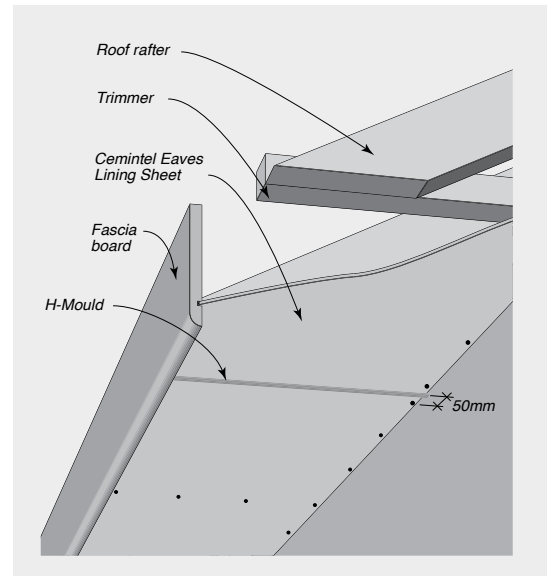


FIGURE 2.05 Eaves Lining



Product Code	Thickness (mm)	Width (mm)	Length (mm)	Mass (Nominal)	Panels per pack
115654*	9	1200	2450	12kg/m ²	30
115655*	9	1200	2750	12kg/m ²	30
115656*	9	1200	3000	12kg/m ²	30

*Customised solutions can be provided upon request. Please contact Cemintel® on 1300 236 468.

All dimensions and masses provided are approximate only and are subject to manufacturing tolerances.

EAVES & SOFFITS
SOFFITLINE®



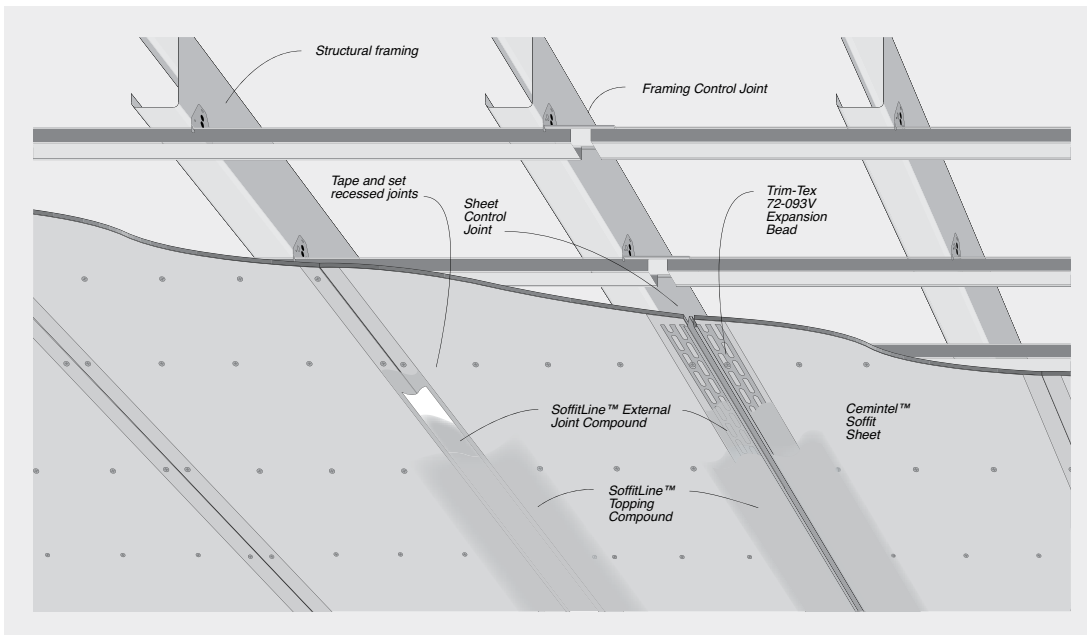
This durable product can be used for internal and external soffits, eaves and ceiling applications where a flush joint appearance is required.

The panels are made in Australia and incorporate Cemintel's unique CeminSeal® water block technology that repels water and increases paint adhesion.

The 6mm thick panels are coated on all sides (including the back) which stops water soaking back into the ceiling. If water soaks back into the ceiling this can cause paint to bubble or blow off.

The panels have a recess on the edges for seamless jointing.

FIGURE 2.06 Typical Layout for Soffitline® Ceiling System - Exterior Ceiling with Flush Set Joints



Product Code	Thickness (mm)	Width (mm)	Length (mm)	Mass (Nominal)	Panels per pack
94712	6	1200	3600	9.4kg/m ²	30

02

EAVES & SOFFITS

SOFFITLINE®

Product Code	Description	UOM
Accessories		
10389	5mm Suspension Rod (drop 600mm) 3600 P121	Each
10432	Bracket Angle P247	Each
10410	Bracket Flat Suspension Rod P274	Each
10431	Bracket Wall Angle	Each
10404	Clip Direct Fix Furring Channel P226	Each
10435	Clip Direct Fix Furring Channel P394	Each
10407	Clip Suspension Top Rail P2534	Each
10350	Expansion V Joint 6mmx3000mm	Each
21089	ExpressWall Backing Strip 1194mm	Each
21088	ExpressWall Backing Strip 2394mm	Each
21087	ExpressWall Backing Strip 2994mm	Each
12122	Furring Channel 28mmx3000mm	Each
10394	Furring Channel 28mmx3600mm P129	Each
10464	Furring Channel 28mm x4800mm P129	Each
10395	Furring Channel 28mmx6000mm P129	Each
10465	Furring Channel Wall Track 3000 P140	Each
10586	Gyprock Paper Tape 150m	Each
10589	Gyprock Paper Tape 75m	Each
10090	Gyprock Stud Adhesive 1kg	Bucket
10091	Gyprock Stud Adhesive 5.5kg	Bucket
95082	Gyprock Stud Adhesive 900g sausage	Tube
11253	H Mould PVC 6mmx2400mm	Each
11255	H Mould PVC 6mmx3000mm	Each
11256	H Mould PVC 6mmx3600mm	Each
10351	Hideaway W Expansion Joint 9x3000mm	Each
10409	Joiner 127 Top Cross Rail P272	Each
10400	Joiner 129 or 308 Furring Channel P138	Each
10401	Locking Key 129/308 Furring Channel P139	Each
125614	Screws 10G-18x30mm FibreTEKS CSK Rib Hd Class4 Pk1000	Each
118224	Screws 10G-18x30mm FibreTEKS Csk Rib Hd Collated Pk1000	Each
125651	Screws 18x25mm FibreTEKS Class4 10G M4.8mm Pk1000	Each
118225	Screws 9-18x25mm FibreTEKS Csk Rib Hd Class 4 Collated Pk1000	Each
13172	Sealant Bond Breaker Tesa Multifoam 7492 3x48mmx25m	Each
61021	Shadow Bead 6mmx3000mm	Each
115227	Sika Primer 3 250ml	Each
39488	Sikaflex Sealant PRO-2HP (310ml tube) Black	Each
11378	Sikaflex Sealant PRO-2HP (310ml tube) Grey	Each
85771	SoffitLine External Jointing Compound	Each
95382	SoffitLine Topping Coat 15kg	Each
10428	Top Cross Rail 38mmx4800mm P128	Each

EAVES & SOFFITS
SURROUND™



FIGURE 2.07 8mm Surround™ Battens

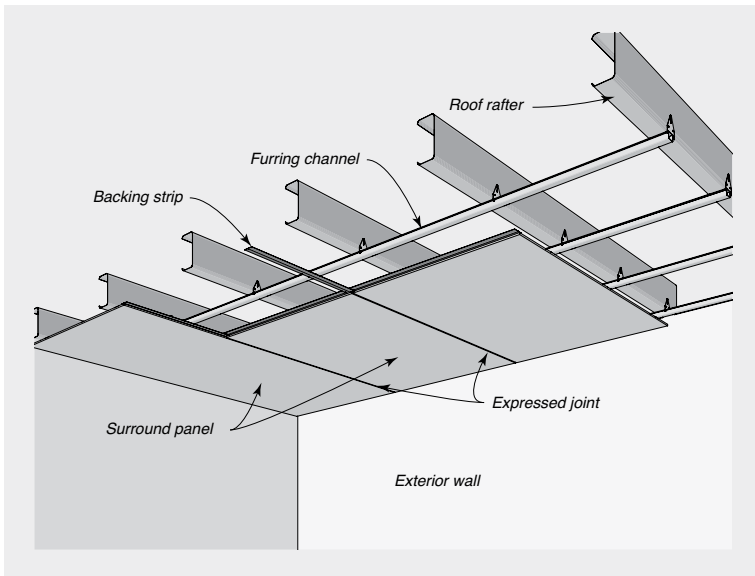
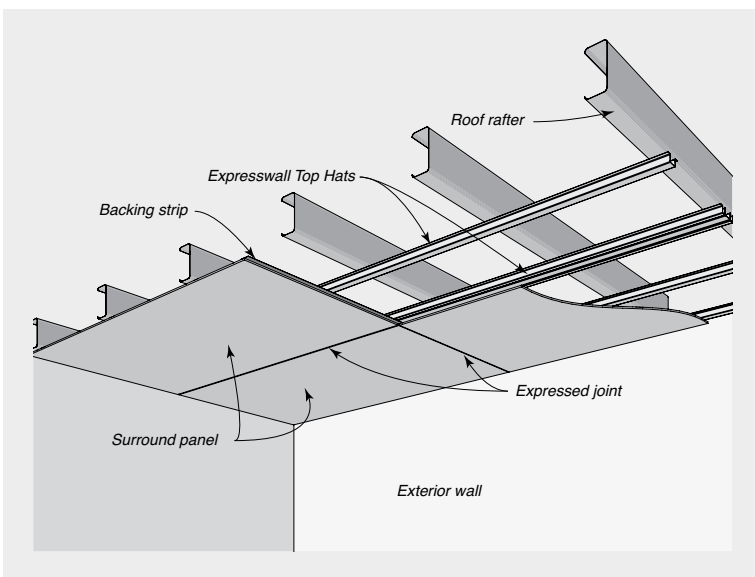


FIGURE 2.08 8mm Surround™ Expresswall Top Hats



No need for a plain white ceiling or soffit anymore. Surround's palette of natural colours and textures gives a new level of choice to catch the eye and complement the wall cladding and environ. This is a new level of sophistication for eaves and soffits*.

Please refer to page 26 for Surround™ product information.

Thickness (mm)	Width (mm)	Length (mm)	Mass (Nominal)	Panels per pack
8	1200	3000	15.7kg/m ²	30

*Customised solutions can be provided upon request. Please contact Cemintel® on 1300 236 468.

02

EAVES & SOFFITS CEMINSEAL® WALLBOARD

Cemintel's® flagship product, manufactured in Australia, CeminSeal® Wallboard can be used for internal or external ceiling systems with either a flush set or expressed joint.

Available in either a square edge (SE) or recessed edge (RE) option. See page 67 for available sizes.

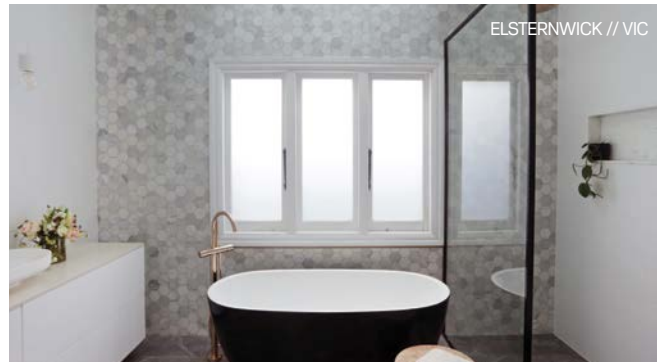


FIGURE 2.09 Typical Layout for Interior Ceiling with Flush-Set Joints

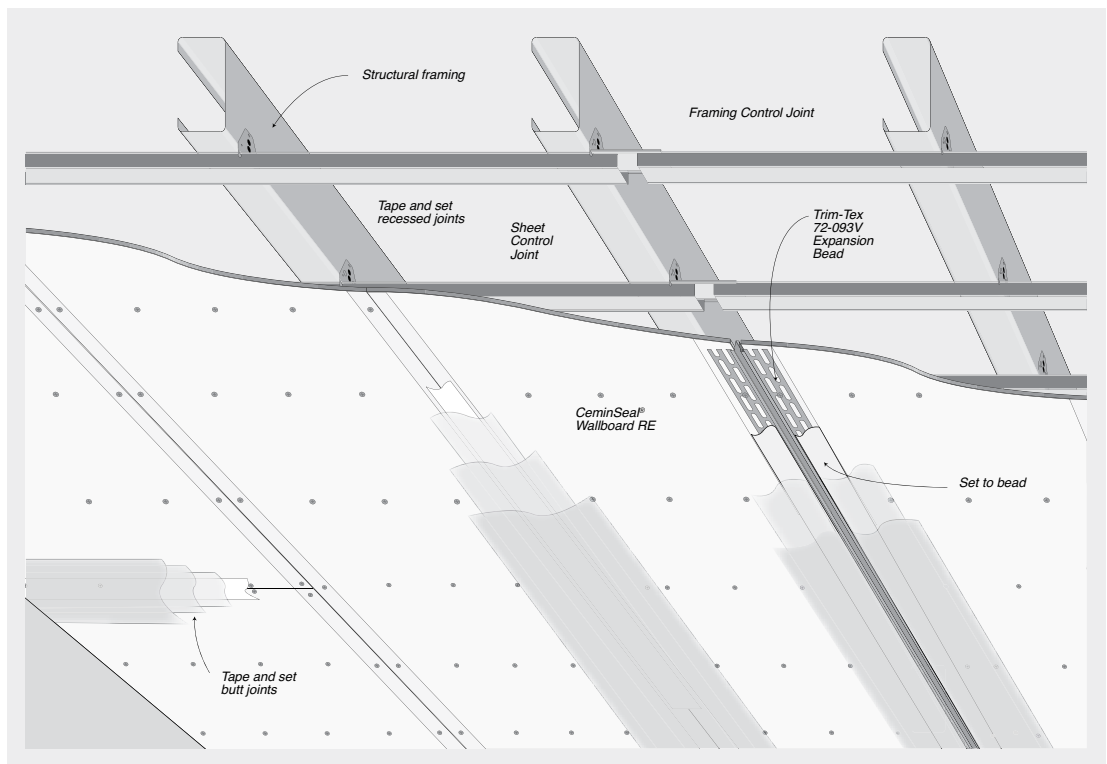
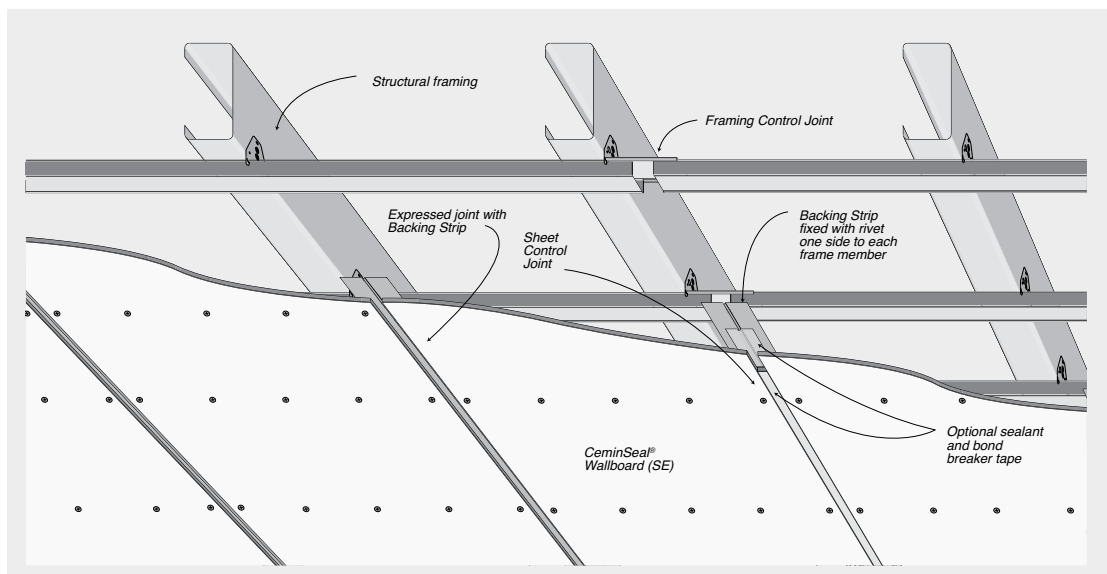


FIGURE 2.10 Typical Layout for Exterior Ceiling with Exposed Joints



03

FAÇADES & CLADDING



FAÇADES & CLADDING – PREFINISHED BARESTONE™ EXTERNAL

Cemintel Barestone™ External panels provide a raw, contemporary finish. Its biophilic impression enhances design aesthetic as it weathers naturally and seamlessly blends into its environment.

Barestone™ External continues to be a very popular product. It is used in many diverse ways and can be cut in many different shapes and sizes for dramatic design effect.

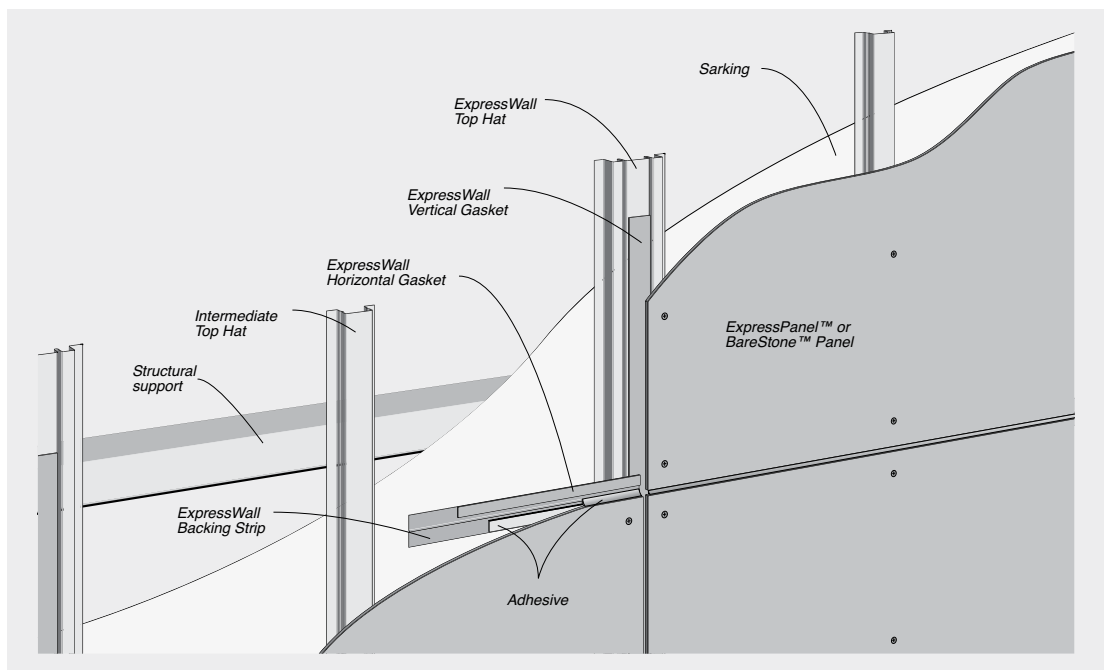
The 9mm compressed panels incorporate Cemintel's unique CeminSeal® water block technology that repels water and they are manufactured in Australia.

The panels can be installed using the Cemintel Commercial ExpressWall® system using exposed fixing.

See 'Internal Linings' section for Barestone™ Internal (pg 65).



FIGURE 3.01 System Overview



Product Code	Thickness (mm)	Width (mm)	Length (mm)	Mass (Nominal)	Panels per pack
99487	9	1200	2400	17.8kg/m ²	20
99486	9	1200	3000	17.8kg/m ²	20

Barestone™ is subject to natural variation in colour and finish due to the manufacturing process and the raw materials used in its manufacture. The builder/installer must ensure the product meets aesthetic requirements before installation.

PREFINISHED – FAÇADES & CLADDING BARESTONE™ EXTERNAL



Accessories

Product Code	Description	UOM
38651	Cavity Baffle (3000mm)	Each
100166	Cemintel® Edge Sealer 200ml	Each
21089	ExpressWall® Backing Strip 1194mm	Each
21088	ExpressWall® Backing Strip 2394mm	Each
21087	ExpressWall® Backing Strip 2994mm	Each
84882	ExpressWall® Hex Head Screws 12-14Gx20mm Class 3 Pk1000	Each
134082	ExpressWall® Horizontal Gasket Tape Gaska 4700 Self Adhesive 3.0x18mmx12m	Each
114070	ExpressWall® Screws 10Gx30mm Wafer Hd Class 3 Pk1000	Each
122235	ExpressWall® Screws 10Gx35mm - Wafer Hd 302 SS Box1000	Each
39124	ExpressWall® Top Hat 1.15BMT 6000mm	Each
133978	ExpressWall® Vertical Gasket Tape Gaska 1510 Self Adhesive 3.2x48mmx23m	Each
36484	ExpressWall® Weather Seal Box1000	Each
21086	Intermediate Top Hat 1.15BMT 3600mm	Each
21083	Intermediate Top Hat 1.15BMT 7200mm	Each
165486	Makita 165mm FC Blade	Each
39378	Sikaflex 11FC 310ml Grey (Backing Strip Adhesive)	Each
39488	Sikaflex Sealant PRO-2HP (310ml tube) Black	Each
11378	Sikaflex Sealant PRO-2HP (310ml tube) Grey	Each
12884	Top Hat H515 15x50x15mm 1.15BMT 3600mm	Each
100896	Top Hat H515 15x50x15mm 1.15BMT 7200mm	Each



FAÇADES & CLADDING – PREFINISHED SURROUND™

A European manufactured, prefinished range that is expertly put together so that you can mix and match colours with confidence. Surround™ is a core range of neutrals and discrete patterns for buildings to look at one with their environment, taking references from the landscape and streetscape.

The colour-bodied (also known as colour through) panels come **trimmed and sealed** and can be installed in a horizontal or vertical orientation using the Cemintel Commercial ExpressWall® TopHat fixing system.

Colour matched rivets accommodate the differential movement between the building structure and the façade. They also provide a more seamless aesthetic to your project.

Only one rivet type is used to install the panels removing potential for costly errors.



As Surround™ is a prefinished product, product images may vary from the actual product in regard to colour and surface finish. Panels should be inspected by the builder/installer prior to installation to ensure they meet aesthetic requirements.

	Stocked items			Non-stocked items	
Whiteish	Base	String	Leather	Metal	Marl
Greyish	Base	String	Leather	Metal	Marl
Blackish	Base	String	Leather	Metal	Marl
Greenish	Base	String	Leather	Metal	Marl
Blueish	Base	String	Leather	Metal	Marl

Note: All Metal and Marl products are non-stocked items. Minimum order quantities and a 16 week (minimum) lead time apply.*

Minimal stock held of all Secondary Palette products. Check availability with Cemintel®.

Secondary Palette



Thickness (mm)	Width (mm)	Length (mm)	Mass (Nominal)	Panels per pack
8	1200	3000 [^]	15.7kg/m ²	30

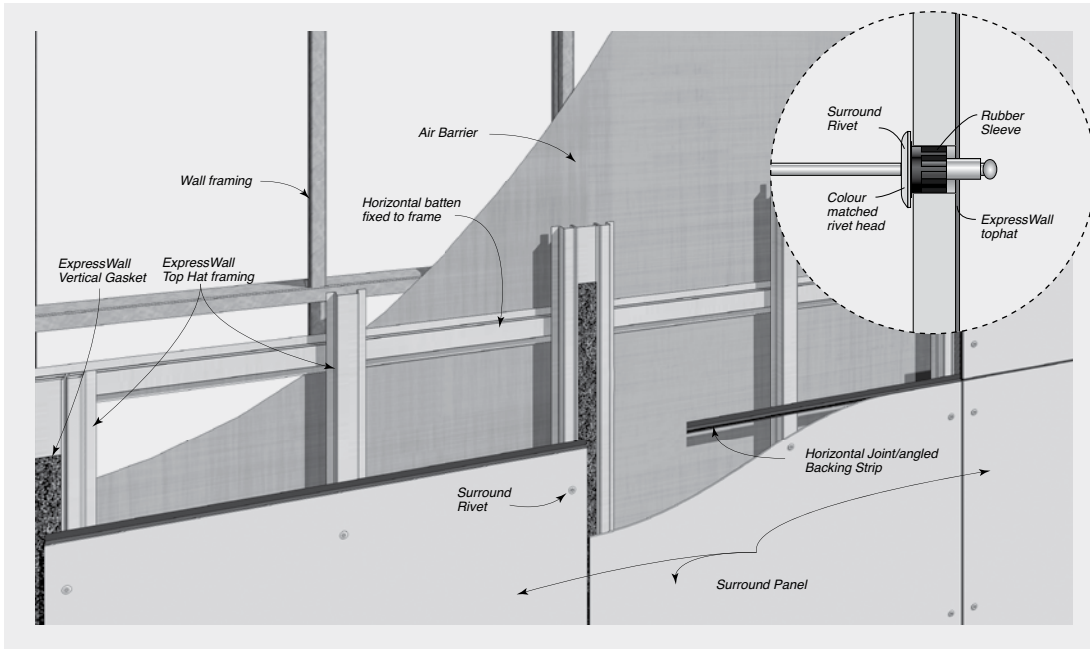
[^] Lengths up to 3050mm are available as special orders.

* Deposits on special orders are required.

PREFINISHED – FAÇADES & CLADDING
SURROUND™



FIGURE 3.02 System Overview



Core Palette

Product Name	Product Code (Panel)	UOM	Colour Matched Rivets S/S 4x18mm (Pack of 100)
Whiteish Base	162670	Each	162644
Whiteish String	162679	Each	162644
Whiteish Leather	162675	Each	162644
Whiteish Metal ~	162685	Each	162644
Whiteish Marl ~	162665	Each	162644
Greyish Base	162669	Each	162686
Greyish String	162678	Each	162686
Greyish Leather	162674	Each	162686
Greyish Metal ~	162684	Each	162686
Greyish Marl ~	162664	Each	162686
Greenish Base	162668	Each	162688
Greenish String	162680	Each	162688
Greenish Leather	162673	Each	162688
Greenish Metal ~	162683	Each	162688
Greenish Marl ~	162663	Each	162688
Blueish Base	162666	Each	162687
Blueish String	162676	Each	162687
Blueish Leather	162671	Each	162687
Blueish Metal ~	162681	Each	162687
Blueish Marl ~	162643	Each	162687
Blackish Base	162667	Each	162689
Blackish String	162677	Each	162689
Blackish Leather	162672	Each	162689
Blackish Metal ~	162682	Each	162689
Blackish Marl ~	162662	Each	162689

- NS = non-stocked item. Minimum order quantities, lead times and conditions apply.

All dimensions and masses provided are approximate only and are subject to manufacturing tolerances.



FAÇADES & CLADDING – PREFINISHED SURROUND™

Secondary Palette

Product Name	Product Code (Panel)	UOM	Colour Matched Rivets S/S 4x18mm (Pack of 100)
167457	1BG1-C	Each	167479
167454	1GY1-W	Each	167476
167451	1YG1-W	Each	167473
167458	2BR1-C	Each	167480
167460	2RY1-W	Each	167482
167452	2YR1-W	Each	167474
167455	3GY1-W	Each	167477
167471	3RY1-W	Each	167483
167453	3YG1-W	Each	167475
167459	4BG1-C	Each	167481
167456	4GY1-W	Each	167478
167472	4RY1-W	Each	167484

Minimum order quantities, lead times and conditions apply to Secondary Palette products.

Accessories

Product Code	Description	UOM
132681	Angled Backing Strip Aluminium 3040mm Anthracite	Each
11177	Backing Rod 10mmx50m	Each
38651	Cavity Baffle (3000mm)	Each
100166	Cemintel® Edge Sealer 200ml	Each
111498	Corner Backing Angle 50x50x3030mm	Each
160950	Enviroseal Proctorwrap Hightack Tape 60mmx25m	Each
124872	Enviroseal Proctorwrap SLS Flexi 60mmx5m	Each
122927	Enviroseal Proctorwrap SLS Plain 50mmx25m	Each
84882	ExpressWall® Hex Head Screws 12-14Gx20mm Class 3 Pk1000	Each
134082	ExpressWall® Horizontal Gasket Tape Gaska 4700 self adhesive 3.0x18mmx12m	Each
84746	ExpressWall® Top Hat 0.75BMT 6000mm	Each
39124	ExpressWall® Top Hat 1.15BMT 6000mm	Each
133978	ExpressWall® Vertical Gasket Tape Gaska 1510 Self Adhesive 3.2x48mmx23m	Each
133332	Gesipa Accubird Rivet Gun and Charge Kit	Each
129266	Horizontal Spacer 5x50x1200mm	Each
21086	Intermediate Top Hat 1.15BMT 3600mm	Each
21083	Intermediate Top Hat 1.15BMT 7200mm	Each
129750	L form Cavity Vent 12x27/32mmx1200mm	Each
165486	Makita 165mm FC Blade	Each
39378	Sikaflex 11FC Grey 310ml (Backing Strip Adhesive)	Each
11378	Sikaflex Sealant PRO-2HP (310ml tube) Grey	Each
132675	Surround™ Drill Bit Ø 4.1mm	Each
132673	Surround™ Drill Bit Ø 9.5mm	Each
132674	Surround™ Rivet Centralising Tool	Each
132676	Surround™ Rivet Gun Nose Piece	Each
12884	Top Hat H515 15x50x15mm 1.15BMT 3600mm	Each
100896	Top Hat H515 15x50x15mm 1.15BMT 7200mm	Each

PREFINISHED – FAÇADES & CLADDING TERRITORY™ FEATURING DESIGNER SERIES FIXING SYSTEM



Cemintel Territory™ is a natural cladding range that comes from Japanese values of simplicity, nature and quality. It is a building block to your home style.

The prefinished cladding panels simulate materials like stone, timber, concrete, metal, tiles and smooth render in a sophisticated way to enhance building façades without the ongoing maintenance requirements.

Panels are factory quality controlled, and the system has Codemark accreditation under Certificate of Conformity CM300.48.

The simple, concealed clip fixing system goes together like meccano once the starter strip is installed. Panels can be installed horizontally or vertically, and the system provides a ventilated cavity to keep your building dry.

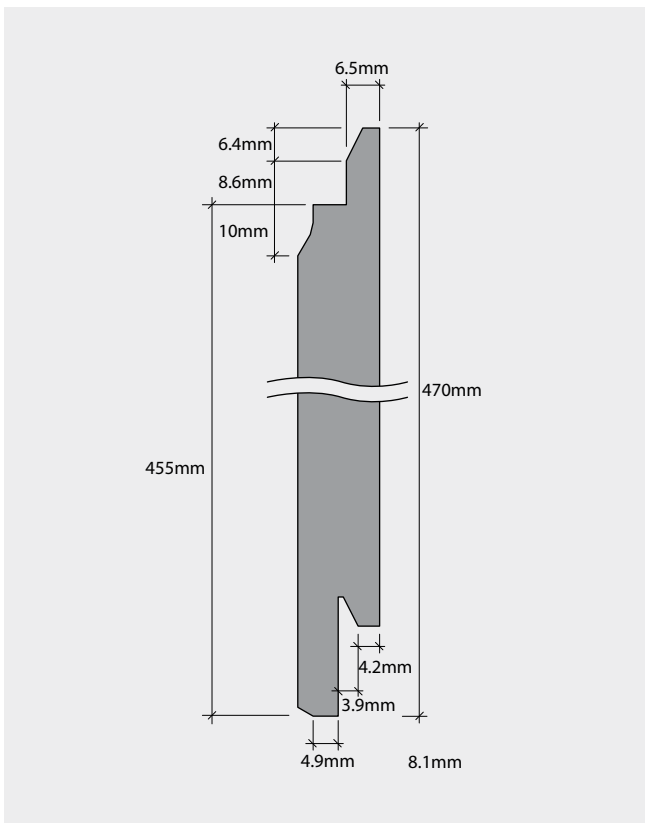
Nichiguard® stain resistant and self cleaning coating is available on all panels. Additional Platinum Coating technology protects against UV damage and colour fade.

Territory™ panels are machined with a complementary tongue and groove profile that easily fit together.

A compressible sealing strip is factory bonded onto the tongue profile to form a weather resistant joint.

The system has a choice of simple aluminium or colour matched, pre-formed corners to suit your desired aesthetic.

FIGURE 3.03 Profile



Thickness (mm)	Width (mm)	Length (mm)	Mass (Nominal)	Panels per pack
16	470 (overall) 455 (effective coverage)	3030	17.9 – 21.8kg/m ² 24.6kg to 30kg per panel depending on panel design	2



FAÇADES & CLADDING- PREFINISHED TERRITORY™ FEATURING DESIGNER SERIES FIXING SYSTEM

Colour Palette

Woodlands



Teak



Smoked



Limed

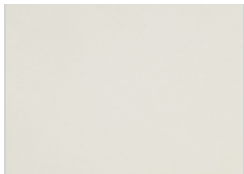


Whitewash



Ebony

Savanna



Cloud



Mist



Shade



Haze

Quarry



Urban Grey



Concrete

Canyon



Ripple

Steppe



Tundra

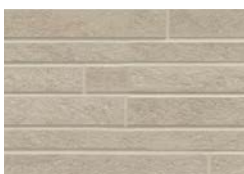


Alpine



Montane

River Bed



Silt



Sand



Pebble

As Territory™ is a prefinished product, product images may vary from the actual product in regard to colour and surface finish. Panels should be inspected by the builder/installer prior to installation to ensure they meet aesthetic requirements.

PREFINISHED – FAÇADES & CLADDING TERRITORY™ FEATURING DESIGNER SERIES FIXING SYSTEM



FIGURE 3.04 Horizontal Installation

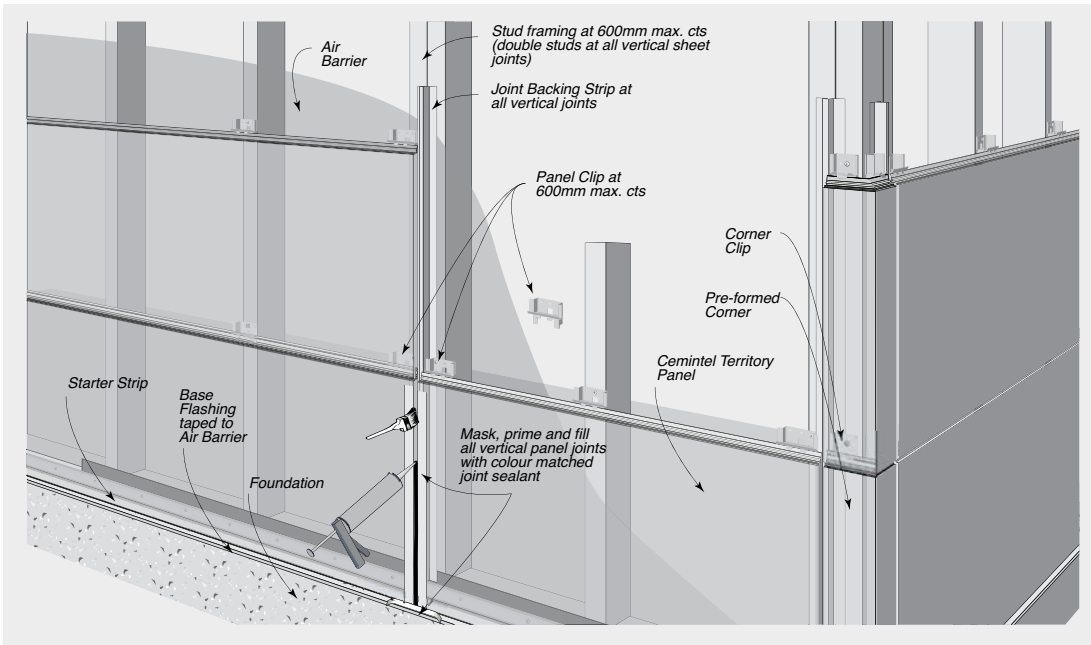
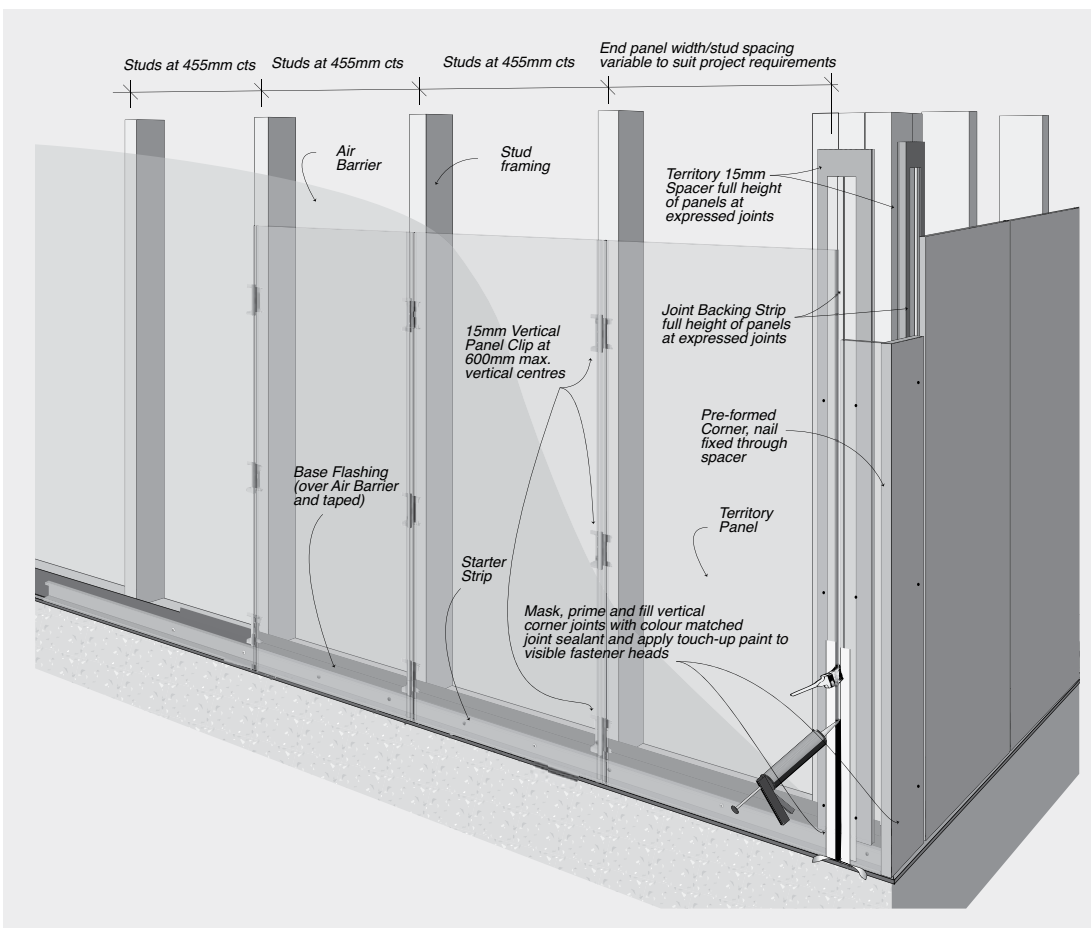


FIGURE 3.05 Vertical installation





FAÇADES & CLADDING – PREFINISHED TERRITORY™ FEATURING DESIGNER SERIES FIXING SYSTEM

Finish	Product Name	Panel (2 Pk)	Touch up Paint* (500 mL)	Primer	Colour Matched Joint Sealant (Sausages 500mL. Avail from 1/4/18)	Pre-Formed External Corner – Horizontal (Each)	Pre-Formed External Corner – Vertical (Each)
Canyon	Ripple	163234	165367	111616	178927	163274	N/A
Quarry	Concrete	134702	165372	111616	178922	134410	134416
Quarry	Urban Grey	133977	165372	111616	178922	134410	134416
Riverbed	Pebble	163180	165363	111616	178928	163230	163252
Riverbed	Sand	163178	165361	111616	178927	163228	163250
Riverbed	Silt	163179	165362	111616	178849	163229	163251
Savanna	Cloud	133935	165368	111616	178848	134391	134392
Savanna	Haze	133936	165369	111616	178849	140726	140714
Savanna	Mist	133937	165370	111616	178850	140724	140717
Savanna	Shade	133938	165371	111616	178921	140725	140715
Steppe	Alpine	163231	165364	111616	178926	163271	N/A
Steppe	Montane	163233	165366	111616	178924	163273	N/A
Steppe	Tundra	163232	165365	163172	178925	163272	N/A
Woodlands	Ebony	163108	165356	111616	178924	163109	163110
Woodlands	Limed	163175	165358	111616	178927	163225	163247
Woodlands	Smoked	133976	165354	111616	178928	134409	134415
Woodlands	Teak	133975	165355	111616	178923	140727	140713
Woodlands	Whitewash	163174	165357	163172	178925	163224	163246

* Use for nail heads, cut edges at window heads and other visible blemishes.

PREFINISHED – FAÇADES & CLADDING

TERRITORY™ FEATURING DESIGNER SERIES FIXING SYSTEM



Code	Description	Ext Hor	Ext Vert	Int Hor	Int Vert	UOM
EXTERNAL CORNERS – METAL (ALUMINIUM)						
126961	Charcoal 3030mm	•	•	•	•	Each
135040	Pearl 3030mm	•	•	•	•	Each
135041	Silver 3030mm	•	•	•	•	Each
OTHER ACCESSORIES						
11177	Backing Rod Foam 10mmx50m	•	•	•	•	Each
100166	Cemintel® Edge Sealer 200ml	•	•	•	•	Each
137071	Control Joint Ext Cnr Coal Vert+ 85x85		•			Each
137073	Control Joint Ext Cnr Pearl Vert+ 85x85		•			Each
137074	Control Joint Ext Cnr Silver Vert+ 85x85		•			Each
137072	Control Joint Ext Cnr White Vert+ 85x85		•			Each
137047	Control Joint Flashing Coal Vert+ 3030mm		•			Each
137049	Control Joint Flashing Pearl Vert+ 3030mm		•			Each
137050	Control Joint Flashing Silver Vert+ 3030mm		•			Each
137048	Control Joint Flashing White Vert+ 3030mm		•			Each
137075	Control Joint Int Cnr Coal Vert+ 85x85		•			Each
137077	Control Joint Int Cnr Pearl Vert+ 85x85		•			Each
137078	Control Joint Int Cnr Silver Vert+ 85x85		•			Each
137076	Control Joint Int Cnr White Vert+ 85x85		•			Each
153018	Corner Clip 15mm 45x45 PK24	•				Each
134923	Eave Trim Charcoal 3030mm SGL	•	•	•	•	Each
134447	Eave Trim Ext Corner Coal 100mm	•	•	•	•	Each
134424	Eave Trim Ext Corner Pearl 100mm	•	•	•	•	Each
134425	Eave Trim Ext Corner Silver 100mm	•	•	•	•	Each
134426	Eave Trim Ext Corner White 100mm	•	•	•	•	Each
134395	Eave Trim Int Corner Coal 150mm	•	•	•	•	Each
134427	Eave Trim Int Corner Pearl 150mm	•	•	•	•	Each
134428	Eave Trim Int Corner Silver 150mm	•	•	•	•	Each
134429	Eave Trim Int Corner White 150mm	•	•	•	•	Each
134926	Eave Trim Pearl 3030mm SGL	•	•	•	•	Each
134927	Eave Trim Silver 3030mm SGL	•	•	•	•	Each
134451	Eave Trim White 3030mm SGL	•	•	•	•	Each
160950	Enviroseal Proctorwrap Hightack Tape 60mmx25m	•	•	•	•	Each
124872	Enviroseal Proctorwrap SLS Flexi 60mmx25m	•	•	•	•	Each
111498	Internal Corner Metal 3030mm SGL	•	•	•	•	Each
123596	Joint Backing Strip Dbl Flg 5mm Vert 3030mm		•			Each
122804	Joint Backing Strip Dbl Flg Hor 3030mm	•				Each
123597	Joint Backing Strip Sgl Flg 5mm Vert 2000mm		•			Each
111500	Joint Backing Strip Sgl Flg Hor 2000mm	•				Each
129750	L-Form Cavity Vent 1200mm	•	•			Each
160588	Long Clip 15mm Hor 57x101x3030mm	•				Each
165486	Makita 165mm FC Blade	•	•	•	•	Each
165485	Makita Plunge Saw Kit Inc Rail+ Bonus 165mm FC Blade	•	•	•	•	Each
105298	Nails 75mm SS304 For Timber PK230	•	•	•	•	Each



FAÇADES & CLADDING – PREFINISHED TERRITORY™ FEATURING DESIGNER SERIES® FIXING SYSTEM

Code	Description	Ext Hor	Ext Vert	Int Hor	Int Vert	UOM
OTHER ACCESSORIES (CONT'D)						
105364	Panel Clip External 15mm Hor 72x46.5mm PK50	•				Each
123594	Panel Clip External 15mm Vert 62x45mm PK50		•			Each
114913	Panel Clip Internal 5mm 60x40mm PK50			•	•	Each
134449	Saw Blade 1.5mm 125mm SGL	•	•	•	•	Each
165665	Screw 10Gx45mm Wingtek CSK CL3 Sq 1000	•	•			Each
162931	Screw 8Gx12mm Wfr CL3 PK1000	•	•			Each
113603	Screws 10Gx55mm Rib Hd CSK Steel CL3 PK250*	•	•	•		Each
105366	Screws 35mm SS410 For Timber PK500	•	•	•	•	Each
117839	Screws 57mm CL3 Timber PK100*	•	•			Each
113604	Screws 8G x 20mm B Hd Steel CL3 PK1000*	•	•	•		Each
13172	Sealant Bond Breaker Tape Tesa 7492 3x48mmx25m	•	•	•	•	Each
134396	Soffit Trim Ext Corner White 15mm PK2	•	•	•	•	Each
134431	Soffit Trim Ext Corner White 18mm PK2	•	•	•	•	Each
134430	Soffit Trim Int Corner White 15mm PK2	•	•	•	•	Each
134432	Soffit Trim Int Corner White 18mm PK2	•	•	•	•	Each
134448	Soffit Trim White 15mm Cav 3030mm	•	•	•	•	Each
134452	Soffit Trim White 18mm Cav 3030mm SG	•	•	•	•	Each
111502	Spacer 15 x 50mm Hor 1200mm	•	•			Each
123595	Spacer 15 x 90mm Vert 2000mm	•	•			Each
129266	Spacer 5mm Int Hor 2000mm			•		Each
128996	Spacer 5x90mm Int Vert 2000mm				•	Each
114912	Spacer Self Adh 5x45x45mmx1000mm	•	•	•	•	Each
165811	Starter Strip External Extended Vert 15x3030mm		•			Each
136823	Starter Strip External Hor 15x3030mm	•				Each
136824	Starter Strip Internal Hor 5x3030mm			•		Each
128963	Starter Strip Internal Vert 5x2000mm				•	Each
136825	Starter Strip Vert 15x3030mm		•			Each

MODERN CLADDING – FAÇADES & CLADDING ASPECT CLADDING®



The 300mm wide Cemintel Aspect Cladding® panel displays a single and visible 16mm wide groove, providing easy coverage for an attractive façade.

The overlapping joint means less fixings than traditional weatherboards with no visible face fixings, providing a clean and modern finish. Aspect is available with direct or cavity fixing options.

The product is suitable for horizontal or vertical installation. ^

It is gun nailable and has a smooth, pre-primed face ready to paint.

^ If using vertically, sufficient frame support needs to be incorporated into the design. Customised solutions can be provided upon request. Please contact Cemintel®.

FIGURE 3.06 System Overview

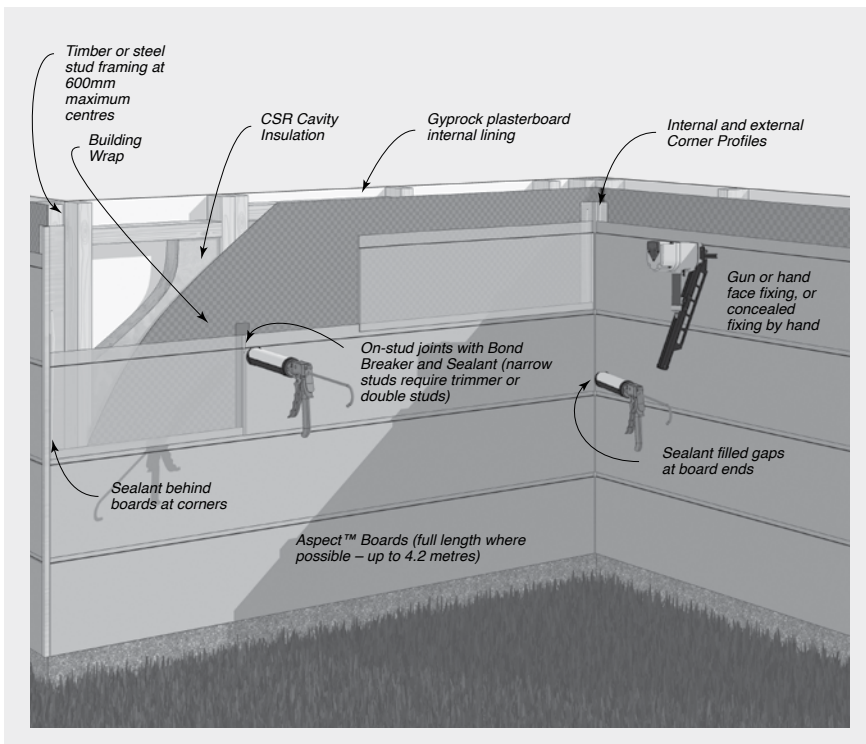
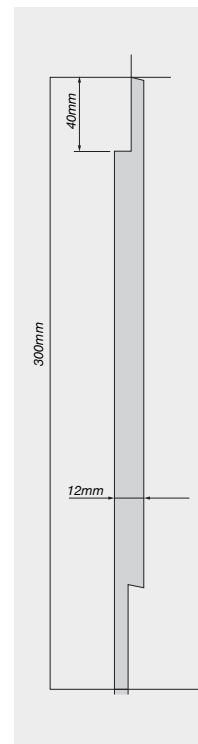


FIGURE 3.07 Profile



Product Code	Thickness (mm)	Width (mm)	Length (mm)	Mass (Nominal)	Panels per pack
130475	12	300 (overall) 276 (effective coverage)	4200	19kg/m ²	60

All dimensions and masses provided are approximate only and are subject to manufacturing tolerances.



FAÇADES & CLADDING – MODERN CLADDING

ASPECT CLADDING®

Accessories

Product Code	Description	UOM
11177	Backing Rod 10mmx50m	Each
100166	Cemintel® Edge Sealer 200ml	Each
101548	Cemintel® External Jointing Compound 15KG	Bucket
101549	Cemintel® External Jointing Compound 6KG	Bucket
111498	Corner Flashing Metal 50x50mmx3030mm	Each
131271	External Corner Piece 3000m	Each
131272	Internal Corner Piece 3000m	Each
165486	Makita 165mm FC Blade	Each
127799	Nails 2.8x50mm D Head Galv Collated Pk3000	Each
13172	Sealant Bond Breaker Tesa Multififoam 7492 3x48mmx25m	Each
115227	Sika Primer 3 250ml	Each
39378	Sikaflex 11FC 310ml Grey (Backing Strip Adhesive)	Each
11378	Sikaflex Sealant PRO-2HP (310ml tube) Grey	Each
129333	Thermal Break 6x38x1200mm Pk459LM (where fixing to metal)	Each
Direct Fix		
77258	Nails Fibre Cement 2.8x40mm Galv Pk2kg	Each
77259	Nails Fibre Cement 2.8x50mm Galv Pk2kg	Each
118224	Screws 10-18x30mm FibreTEKS Csk Rib Hd Collated Pk1000	Each
125614	Screws 10G-18x30mm FibreTEKS CSK Rib Hd Class4 Pk1000	Each
26626	Screws 35mm WingTEK Csk Rib Hd Class 3 Pk1000	Each
Cavity Fix		
11177	Backing Rod 10mmx50m	Each
125431	Cavity Batten 19mmx2700mm	Each
134426	Eave Trim External Corner White	Each
134429	Eave Trim Internal Corner White	Each
134451	Eave Trim White 3030mm	Each
134845	J Track PVC Cavity Vent Strip 19x19x70mmx3000mm	Each
127801	Screws 8-10x50mm CSK Rib Head Class3 Pk1000	Each
134452	Soffit Trim 18mm X 3030mm	Each
134431	Soffit Trim External Corner 18mmx76.5mmx76.5mm	Each
134432	Soffit Trim Internal Corner 18mmx91.5mmx91.5mm	Each

MODERN CLADDING – FAÇADES & CLADDING EDGE CLADDING



This is a hidden gem in the Cemintel® portfolio. A pre-primed, external vertical cladding panel with sharp grooves allows for creative application of the product that pairs fantastically with the whole Cemintel® range.

The grooves are very sharp and clean so you don't have to remove burring before you paint – it's ready to go.

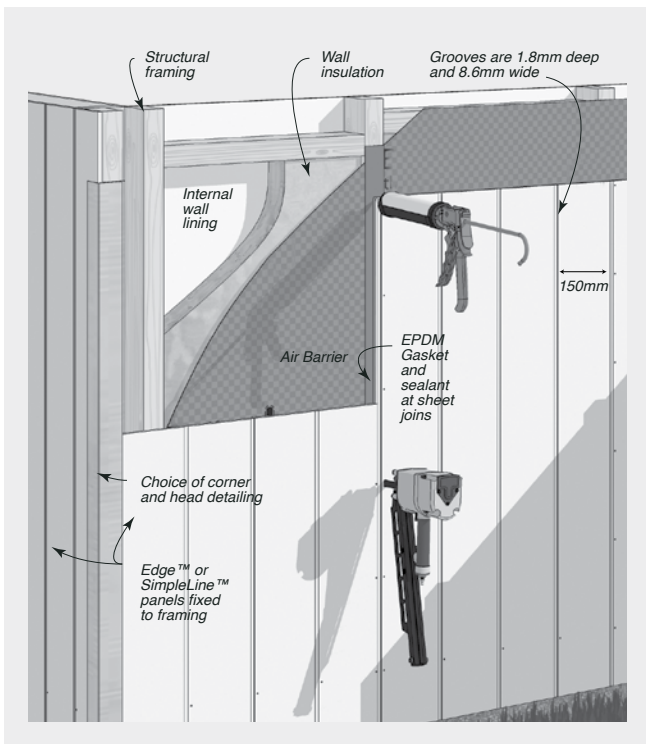
The panels are gun nailable to provide speedy construction and good coverage. The direct fix method saves space and time.

The ship-lap joint runs along the long edge, and allows for frame movement and avoids joint cracking. It can be installed direct on studs or as a cavity system.

Edge can also be used in customised solutions* for eaves, ceilings, soffits and internal linings.

See relevant sections for more information or contact Cemintel®.

FIGURE 3.08 Typical Direct Fix System



Product Code	Thickness (mm)	Width (mm)	Length (mm)	Mass (Nominal)	Panels per pack
115654	9	1200	2450	12kg/m ²	30
115655	9	1200	2750	12kg/m ²	30
115656	9	1200	3000	12kg/m ²	30

*Customised solutions can be provided upon request. Please contact Cemintel® on 1300 236 468.



FAÇADES & CLADDING – MODERN CLADDING EDGE CLADDING

Accessories

Product Code	Description	UOM
11177	Backing Rod 10mmx50m	Each
100166	Cemintel® Edge Sealer 200ml	Each
111498	Corner Flashing Metal 50x50mmx3030mm	Each
108451	Corner Mould Metal 2 piece Snap On 3000mm Pk5	Each
160950	Enviroseal Proctorwrap Hightack Tape 60mmx25m	Each
124872	Enviroseal Proctorwrap SLS Flexi 60mmx5m	Each
165486	Makita 165mm FC Blade	Each
13172	Sealant Bond Breaker Tesa Multifoam 7492 3x48mmx25m	Each
39488	Sikaflex Sealant PRO-2HP (310ml tube) Black	Each
11378	Sikaflex Sealant PRO-2HP (310ml tube) Grey	Each
129333	Thermal Break 6x38x1200mm Pk459LM (where fixing to metal)	Each
Direct Fix		
133978	Gasket Tape Gaska 1510 Self Adhesive 3.2x48mmx23m	Each
118224	Screws 10-18x30mm FibreTEKS Csk Rib Hd Collated Pk1000	Each
125614	Screws 10G-18x30mm FibreTEKS CSK Rib Hd Class4 Pk1000	Each
Cavity Fix		
125431	Cavity Batten 19mmx2700mm	Each
134426	Eave Trim External Corner White	Each
134429	Eave Trim Internal Corner White	Each
134451	Eave Trim White 3030mm	Each
134845	J Track PVC Cavity Vent Strip 19x19x70mmx3000mm	Each
127799	Nails 2.8x50mm D Head Galv Collated Pk3000	Each
127801	Screws 8-10x50mm CSK Rib Head Class3 Pk1000	Each
115227	Sika Primer 3 250ml	Each
39378	Sikaflex 11FC Grey 310ml (Backing Strip Adhesive)	Each
134452	Soffit Trim 18mmx3030mm	Each
134431	Soffit Trim External Corner 18mmx76.5mmx76.5mm	Each
134432	Soffit Trim Internal Corner 18mmx91.5mmx91.5mm	Each

MODERN CLADDING – FAÇADES & CLADDING COMMERCIAL EXPRESSPANEL®



Cemintel Commercial ExpressPanel® is an ideal façade solution for commercial and industrial applications.

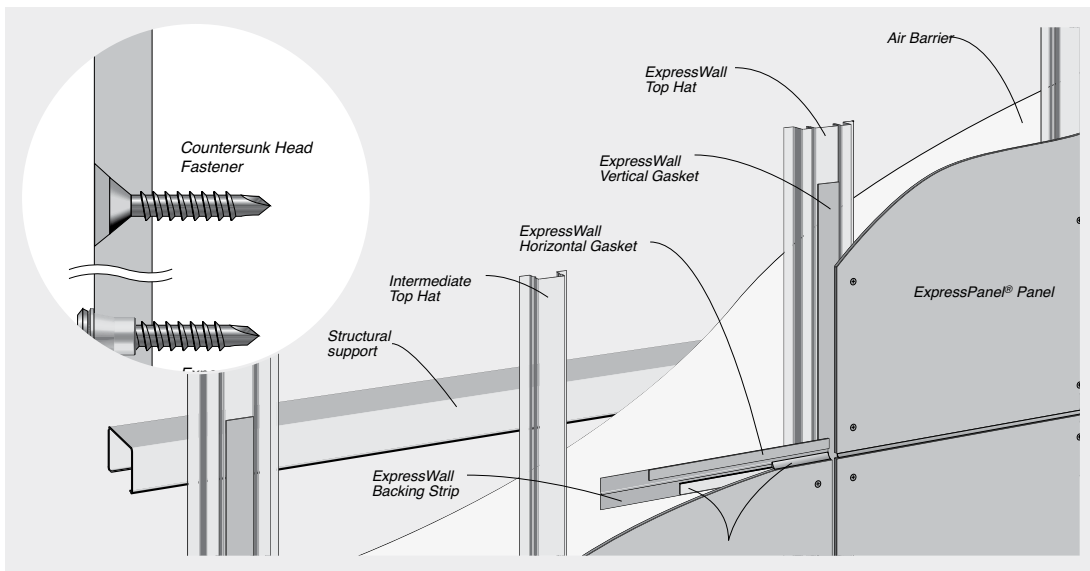
In conjunction with the Commercial ExpressWall® system, this combines a modern, express jointed aesthetic with a fast and economical top hat installation system.

With pre-primed, multiple sized sheets available and ready for painting, the panels can be arranged in a variety of patterns. Play with colours on its surface for a unique finish to add a different dimension, especially to large scale multi-res apartments.

The 9mm compressed panels are strong and offer good impact resistance and can withstand high wind loadings, including cyclonic conditions.

Made in Australia for Australian conditions.

FIGURE 3.09 System Overview



Product Code	Thickness (mm)	Width (mm)	Length (mm)	Mass (Nominal)	Panels per pack
25681	9	900	1800	17.6kg/m ²	20
25682	9	900	2400	17.6kg/m ²	20
25683	9	900	3000	17.6kg/m ²	20
25676	9	1200	1800	17.6kg/m ²	20
25677	9	1200	2100	17.6kg/m ²	20
25678	9	1200	2400	17.6kg/m ²	20
25679	9	1200	2700	17.6kg/m ²	20
25680	9	1200	3000	17.6kg/m ²	20

All dimensions and masses provided are approximate only and are subject to manufacturing tolerances.



FAÇADES & CLADDING – MODERN CLADDING COMMERCIAL EXPRESSPANEL®

Accessories

Product Code	Description	UOM
38651	Cavity Baffle (3000mm)	Each
100166	Cemintel® Edge Sealer 200ml	Each
21089	ExpressWall® Backing Strip 1194mm	Each
21088	ExpressWall® Backing Strip 2394mm	Each
21087	ExpressWall® Backing Strip 2994mm	Each
134082	ExpressWall® Horizontal Gasket Tape Gaska 4700 self adhesive 3.0x18mmx12m	Each
84746	ExpressWall® Top Hat 0.75BMT (6000mm length)	Each
39124	ExpressWall® Top Hat 1.15BMT 6000mm	Each
133978	ExpressWall® Vertical Gasket Tape Gaska 1510 Self Adhesive 3.2x48mmx23m	Each
21086	Intermediate Top Hat 1.15BMT 3600mm	Each
21083	Intermediate Top Hat 1.15BMT 7200mm	Each
165486	Makita 165mm FC Blade	Each
39378	Sikaflex 11FC Grey 310ml (Backing Strip Adhesive)	Each
39488	Sikaflex Sealant PRO-2HP (310ml tube) Black	Each
11378	Sikaflex Sealant PRO-2HP (310ml tube) Grey	Each
12884	Top Hat H515 15x50x15mm 1.15BMT 3600mm	Each
100896	Top Hat H515 15x50x15mm 1.15BMT 7200mm	Each
Concealed Fixing for painted finish onsite		
22116	Countersinking Tool 6mm	Each
114081	ExpressWall® Screws 30mmx10G - Csk Hd Class 3 Pk1000	Each
25464	MegaPoxy P1 (1 litre kit)	Each
Exposed Fixing for pre-painted finish		
84882	ExpressWall® Hex Head Screws 12-14Gx20mm Class 3 Pk1000	Each
114070	ExpressWall® Screws 10Gx30mm Wafer Hd Class 3 Pk1000	Each
122235	ExpressWall® Screws 10Gx35mm - Wafer Hd 302 SS Box1000	Each
36484	ExpressWall® Weather Seal Box1000	Each

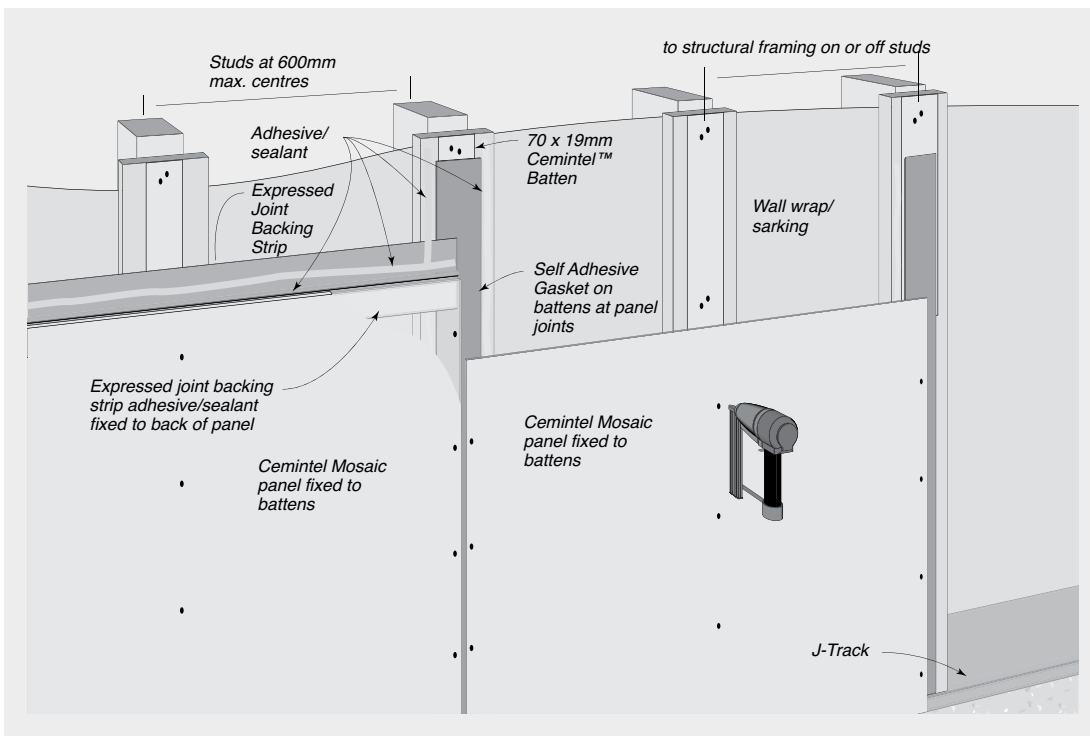
MODERN CLADDING – FAÇADES & CLADDING MOSAIC®



Mosaic® combines a modern, geometric express joint aesthetic making it the ideal façade for the modern home. Multiple sized panels can be arranged to form a pattern effect either using block colour or a variety of tones using a painted finish.

The pre-primed, nailable panels are fast and easy to install over either timber or steel frames with a batten system.

FIGURE 3.10 System Overview



Product Code	Thickness (mm)	Width (mm)	Length (mm)	Mass (Nominal)	Panels per pack
123332	8	1190	1190	12.6kg/m ²	30
123280	8	1190	2990	12.6kg/m ²	30
123333	8	590	2390	12.6kg/m ²	30
123331	8	890	1790	12.6kg/m ²	30

All dimensions and masses provided are approximate only and are subject to manufacturing tolerances.



FAÇADES & CLADDING – MODERN CLADDING MOSAIC®

Accessories

Product Code	Description	UOM
11177	Backing Rod 10mmx50m	Each
162751	Brad Nails 16g x 25mm S/S 304 Pk2500	Each
162752	Brad Nails 16g x 25mm S/S 304 Pk2500 + 2 cells	Each
125431	Cavity Batten 19mmx2700mm	Each
100166	Cemintel® Edge Sealer 200ml	Each
101548	Cemintel® External Jointing Compound 15KG	Bucket
101549	Cemintel® External Jointing Compound 6KG	Bucket
132317	Closed Cell Batten Tape: (1.6mmx28mmx23m Roll)	Each
111498	Corner Flashing Metal 50x50mmx3030mm	Each
134426	Eave Trim External Corner White	Each
134429	Eave Trim Internal Corner White	Each
134451	Eave Trim White 3030mm	Each
21089	ExpressWall® Backing Strip 1194mm	Each
21088	ExpressWall® Backing Strip 2394mm	Each
21087	ExpressWall® Backing Strip 2994mm	Each
134845	J Track PVC Cavity Vent Strip 19x19x70mmx3000mm	Each
165486	Makita 165mm FC Blacde	Each
127799	Nails 2.8 x 50mm D Head Galv Collated Pk3000	Each
118224	Screws 10-18x30mm FibreTEKS Csk Rib Hd Collated Pk1000	Each
125614	Screws 10G-18x30mm FibreTEKS CSK Rib Hd Class4 Pk1000	Each
127801	Screws 8-10x50mm CSK Rib Head Class3 Pk1000	Each
13172	Sealant Bond Breaker Tesa Multifoam 7492 3x48mmx25m	Each
115227	Sika Primer 3 250ml	Each
44510	Sikaflex 11FC 310ml Black (Backing Strip Adhesive)	Each
39488	Sikaflex Sealant PRO-2HP (310ml tube) Black	Each
11378	Sikaflex Sealant PRO-2HP (310ml tube) Grey	Each
134452	Soffit Trim 18mm x 3030mm	Each
134431	Soffit Trim External Corner 18mm x 76.5mm x 76.5mm	Each
134432	Soffit Trim Internal Corner 18mm x 91.5mm x 91.5mm	Each
129333	Thermal Break 6x38x1200mm Pk459LM (where fixing to metal)	Each

MODERN CLADDING – FAÇADES & CLADDING SCARBOROUGH® WEATHERBOARDS



A modern take on the traditional weatherboard, Scarborough® is a very stylish product. With strong shadow lines, this product allow designers to create both traditional and contemporary residential designs.

Scarborough® has a concealed fixing system and square profile so the boards butt together and provide a flat surface finish. The pre-primed boards are also able to be cut at different lengths to minimise waste.

From a design perspective, the 12mm thick profile provides sharp lines with a strong shadow line. This flexibility has enabled it to transcend from traditional homes to some funky and more upmarket projects.

The nail groove reduces the thickness to 8mm for ease of nailing and keeping accuracy.

The product is gun nailable for quick and easy installation. The product can be either direct fixed or installed with a vertical cavity.

One of the best features of Scarborough® Weatherboards is its low maintenance, especially compared to natural timber products.

FIGURE 3.11 System Overview

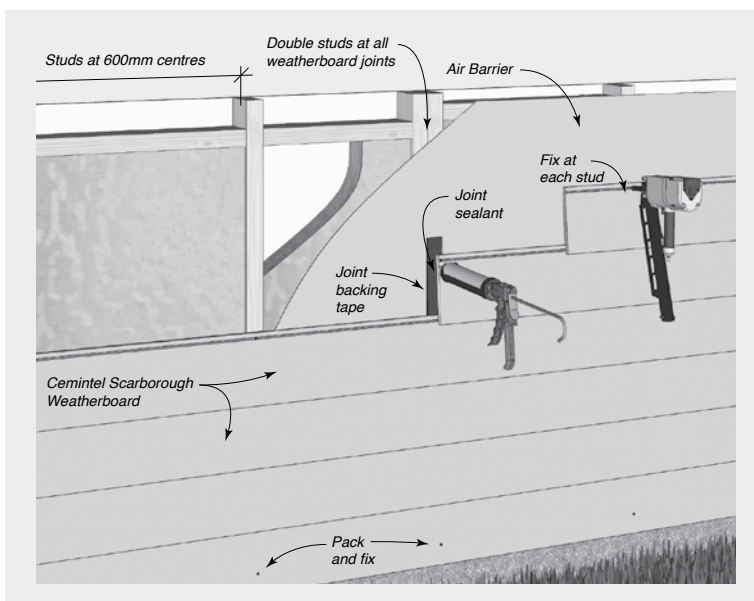
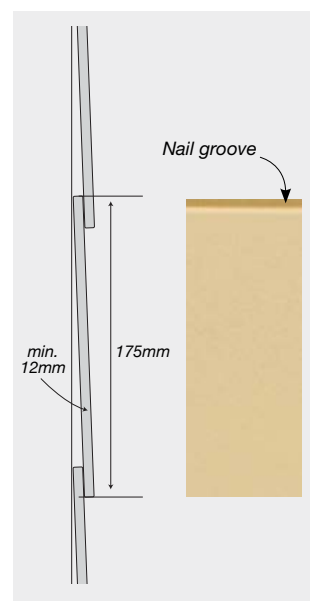


FIGURE 3.12 Profile



Product Code	Thickness (mm)	Width (mm)	Length (mm)	Mass (Nominal)	Panels per pack
89474	12	175 (overall) 150 (effective coverage)	4200	18.8 kg/m ²	100



FAÇADES & CLADDING – MODERN CLADDING SCARBOROUGH® WEATHERBOARDS

Accessories

Product Code	Description	UOM
11177	Backing Rod 10mmx50m	Each
100166	Cemintel® Edge Sealer 200ml	Each
89096	External Corner Aluminium 3000mm	Each
89095	Internal Corner Aluminium 3000mm	Each
165486	Makita 165mm FC Blade	Each
89857	Off Stud Joiner (Soaker) 175mm Pk25	Each
13172	Sealant Bond Breaker Tesa Multifoam 7492 3x48mmx25m	Each
115227	Sika Primer 3 250ml	Each
39378	Sikaflex 11FC Grey 310ml (Backing Strip Adhesive)	Each
39488	Sikaflex Sealant PRO-2HP (310ml tube) Black	Each
11378	Sikaflex Sealant PRO-2HP (310ml tube) Grey	Each
129333	Thermal Break 6x38x1200mm Pk459LM (where fixing to metal)	Each
89097	Window Trim Aluminium 3700mm	Each
Direct Fix		
77258	Nails Fibre Cement 2.8x40mm Galv Pk2kg	Each
77259	Nails Fibre Cement 2.8x50mm Galv Pk2kg	Each
118224	Screws 10-18x30mm FibreTEKS Csk Rib Hd Collated Pk1000	Each
125614	Screws 10G-18x30mm FibreTEKS CSK Rib Hd Class4 Pk1000	Each
89098	Starter Strip PVC 3000mm	Each
Cavity Fix		
125431	Cavity Batten 19mmx2700mm	Each
134426	Eave Trim External Corner White	Each
134429	Eave Trim Internal Corner White	Each
134451	Eave Trim White 3030mm	Each
134845	J Track PVC Cavity Vent Strip 19x19x70mmx3000mm	Each
127799	Nails 2.8 x 50mm D Head Galv Collated Pk3000	Each
127801	Screws 8-10 x 50mm CSK Rib Head Class3 Pk1000	Each
134783	Self Adhesive Foam Backing Tape 10x30mmx9.1m	Each
134452	Soffit Trim 18mmx3030mm	Each
134431	Soffit Trim External Corner 18mmx76.5mmx76.5mm	Each
134432	Soffit Trim Internal Corner 18mmx91.5mmx91.5mm	Each

MODERN CLADDING – FAÇADES & CLADDING SIMPLELINE®



While SimpleLine® may sound simple, it is more intelligent than you might think!

From an aesthetic viewpoint, it has strong, clean edges that provide for a linear recessed panel look without the cost. It can also be used in either a horizontal or vertical format* giving even more design flexibility.

The Australian manufactured panels have ship-lapped vertical edges that are suitable for gun-nailing for fast installation. There are multiple installation methods to give you choice and flexibility including direct fix or ventilated cavity options.

The product can be used as cladding on stage and zero lot walls, and boundary walls.

It is a simple blank canvas primed and ready for a final paint finish. It has an easy over-lap joint that does not need to be set to save you installation time and money.

FIGURE 3.13 Typical Cavity System

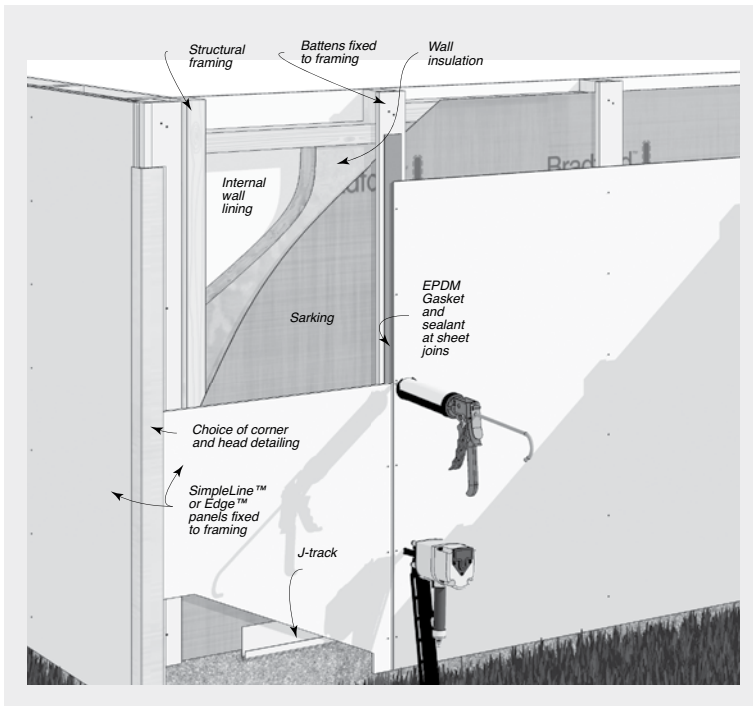
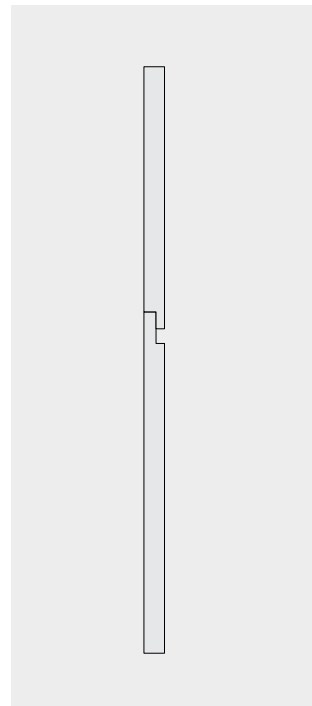


FIGURE 3.14 Profile



Product Code	Thickness (mm)	Width (mm)	Length (mm)	Mass (Nominal)	Panels per pack
136719	8.5	900	3000	13.3kg/m ²	30
136820	8.5	1200	2400	13.3kg/m ²	30
136861	8.5	1200	3000	13.3kg/m ²	30

*Customised solutions can be provided upon request. Please contact Cemintel® on 1300 236 468.



FAÇADES & CLADDING – MODERN CLADDING SIMPLELINE®

Accessories

Product Code	Description	UOM
11177	Backing Rod 10mmx50m	Each
100166	Cemintel® Edge Sealer 200ml	Each
111498	Corner Flashing Metal 50x50mmx3030mm	Each
108451	Corner Mould Metal 2 piece Snap On 3000mm Pk5	Each
124872	Enviroseal Proctorwrap SLS Flexi 60mmx5m	Each
160950	Enviroseal Proctorwrap SLS Plain 50mmx25m	Each
165486	Makita 165mm FC Blade	Each
13172	Sealant Bond Breaker Tesa Multifoam 7492 3x48mmx25m	Each
39488	Sikaflex Sealant PRO-2HP (310ml tube) Black	Each
11378	Sikaflex Sealant PRO-2HP (310ml tube) Grey	Each
129333	Thermal Break 6x38x1200mm Pk459LM (where fixing to metal)	Each
Direct Fix		
133978	Gasket Tape Gaska 1510 Self Adhesive 3.2x48mmx23m	Each
118224	Screws 10-18x30mm FibreTEKS Csk Rib Hd Collated Pk1000	Each
125614	Screws 10G-18x30mm FibreTEKS CSK Rib Hd Class4 Pk1000	Each
Cavity Fix		
125431	Cavity Batten 19mmx2700mm	Each
134426	Eave Trim External Corner White	Each
134429	Eave Trim Internal Corner White	Each
134451	Eave Trim White 3030mm	Each
134845	J Track PVC Cavity Vent Strip 19x19x70mmx3000mm	Each
127799	Nails 2.8x50mm D Head Galv Collated Pk3000	Each
127801	Screws 8-10x50mm CSK Rib Head Class3 Pk1000	Each
115227	Sika Primer 3 250ml	Each
39378	Sikaflex 11FC Grey 310ml (Backing Strip Adhesive)	Each
134452	Soffit Trim 18mmx3030mm	Each
134431	Soffit Trim External Corner 18mmx76.5mmx76.5mm	Each
134432	Soffit Trim Internal Corner 18mmx91.5mmx91.5mm	Each

OTHER CLADDING – FAÇADES & CLADDING CLADDING SHEET



A more traditional product, Cemintel® Cladding provides a lightweight panel solution in a most simple form.

The panels are manufactured in Australia. They are both clean and smooth, not furry – this enables them to be paint ready and ultimately provide a better painted finish.

It is very easy to install with traditional nail-on-frame methods. There is also an option for a drained cavity cladding solution.

The square edge panels are available in a range of sizes making it versatile in application and minimises waste. Joints can be covered with PVC moulds or timber.

Product Code	Thickness (mm)	Width (mm)	Length (mm)	Mass (Nominal)	Panels per pack
10207	4.5	900	1800	7.5kg/m ²	30
10208	4.5	900	2400	7.5kg/m ²	30
10209	4.5	900	2700	7.5kg/m ²	30
10210	4.5	900	3000	7.5kg/m ²	30
10211	4.5	1200	1800	7.5kg/m ²	30
10213	4.5	1200	2400	7.5kg/m ²	30
10214	4.5	1200	2700	7.5kg/m ²	30
10215	4.5	1200	3000	7.5kg/m ²	30
10198	6	900	2400	9.7kg/m ²	30
10202	6	1200	1800	9.7kg/m ²	30
10203	6	1200	2400	9.7kg/m ²	30
10205	6	1200	2700	9.7kg/m ²	30
10206	6	1200	3000	9.7kg/m ²	30



FAÇADES & CLADDING – OTHER CLADDING CLADDING SHEET

Accessories

Product Code	Description	UOM
11177	Backing Rod 10mmx50m	Each
11387	Capping Mould PVC 4.5mmx3000mm	Each
11384	Capping Mould PVC 6mmx3000mm	Each
100166	Cemintel® Edge Sealer 200ml	Each
11205	Corner Flashing PVC 50x50mmx2400mm	Each
11176	Corner Mould PVC 50x50mmx3000mm	Each
11190	Cover Strip PVC 6x38mmx3000mm	Each
114070	ExpressWall® Screws 10Gx30mm Wafer Hd Class 3 Pk1000	Each
11195	External Corner PVC 4.5mmx3000mm	Each
11194	External Corner PVC 6mmx3000mm	Each
11264	H Mould 4.5mm PVC 2400mm	Each
11266	H Mould 4.5mm PVC 3000mm	Each
11255	H Mould 6mm PVC 3000mm	Each
11330	Internal Corner PVC 4.5mmx3000mm	Each
11327	Internal Corner PVC 6mmx3000mm	Each
77226	Nails Fibre Cement 30x2.8mm Galv Pack2.5kg	Each
125614	Screws 10G-18x30mm FibreTEKS CSK Rib Hd Class4 Pk1000	Each
118224	Screws 10G-18x30mm FibreTEKS Csk Rib Hd Collated Pk1000	Each
125651	Screws 18x25mm FibreTEKS Class4 10G M4.8mm Pk1000	Each
118225	Screws 9-18x25mm FibreTEKS Csk Rib Hd Class 4 Collated Pk1000	Each
13172	Sealant Bond Breaker Tesa Multifoam 7492 3x48mmx25m	Each
115227	Sika Primer 3 250ml	Each
44510	Sikaflex 11FC 310ml Black (Backing Strip Adhesive)	Each
39488	Sikaflex Sealant PRO-2HP (310ml tube) Black	Each
11378	Sikaflex Sealant PRO-2HP (310ml tube) Grey	Each
129333	Thermal Break 6x38x1200mm Pk459LM (where fixing to metal)	Each
Cavity Fix		
125431	Cavity Batten 19mmx2700mm	Each
134426	Eave Trim External Corner White	Each
134429	Eave Trim Internal Corner White	Each
134451	Eave Trim White 3030mm	Each
134845	J Track PVC Cavity Vent Strip 19x19x70mmx3000mm	Each
165486	Makita 165mm FC Blade	Each
127799	Nails 2.8x50mm D Head Galv Collated Pk3000	Each
127801	Screws 8-10x50mm CSK Rib Head Class3 Pk1000	Each
134452	Soffit Trim 18mmx3030mm	Each
134431	Soffit Trim External Corner 18mmx76.5mmx76.5mm	Each
134432	Soffit Trim Internal Corner 18mmx91.5mmx91.5mm	Each

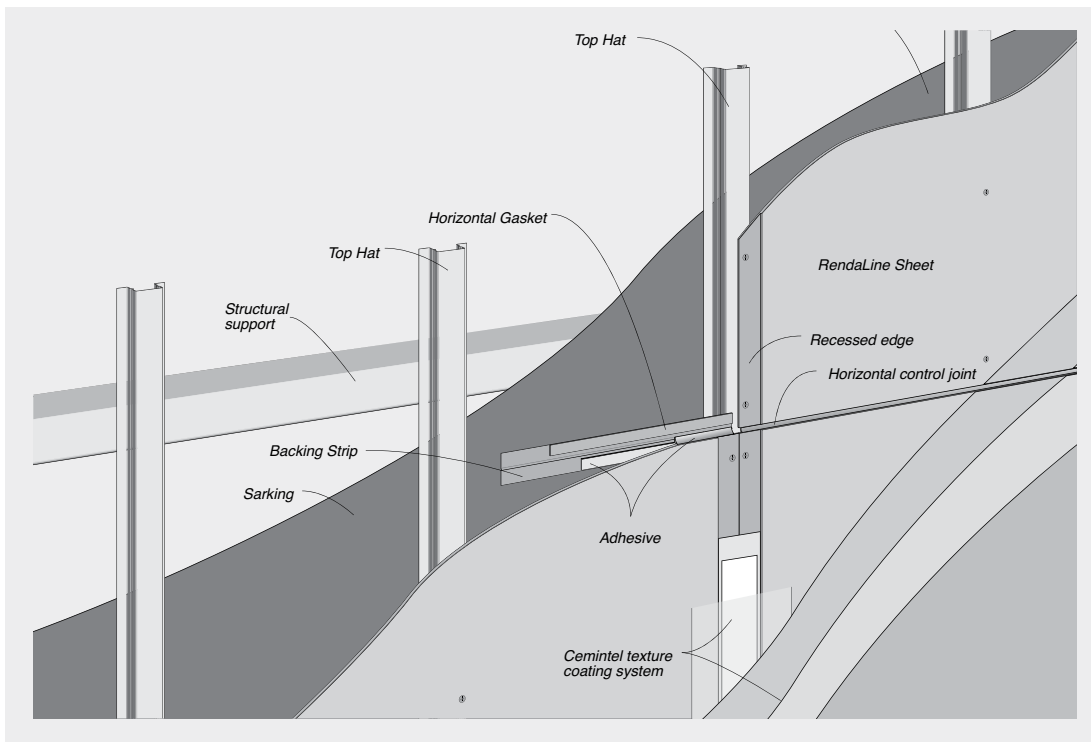
OTHER CLADDING – FAÇADES & CLADDING
COMMERCIAL RENDALINE®



Cemintel Commercial RendaLine® is a complete external cladding system that incorporates all the advantages of lightweight construction with a flush-jointed, texture coat finish.

A highly adaptable system, it can be used over most common structural materials such as masonry, pre-cast concrete and steel or timber stud framing in commercial and industrial buildings.

FIGURE 3.15 System Overview



Product Code	Thickness (mm)	Width (mm)	Length (mm)	Mass (Nominal)	Panels per pack
10234	8	1200	3000	12.9kg/m ²	30

All dimensions and masses provided are approximate only and are subject to manufacturing tolerances.



FAÇADES & CLADDING – OTHER CLADDING COMMERCIAL RENDALINE®

Accessories

Product Code	Description	UOM
11177	Backing Rod 10mmx50m	Each
100166	Cemintel® Edge Sealer 200ml	Each
101548	Cemintel® External Jointing Compound 15KG	Bucket
101549	Cemintel® External Jointing Compound 6KG	Bucket
111498	Corner Flashing Metal 50x50mmx3030mm	Each
39377	Corner Mould PVC 3000mm	Each
10350	Expansion V Joint 6x3000mm	Each
21089	ExpressWall® Backing Strip 1194mm	Each
21088	ExpressWall® Backing Strip 2394mm	Each
21087	ExpressWall® Backing Strip 2994mm	Each
134082	ExpressWall® Horizontal Gasket Tape Gaska 4700 Self Adhesive 3.0x18mmx12m	Each
133978	ExpressWall® Vertical Gasket Tape Gaska 1510 Self Adhesive 3.2x48mmx23m	Each
101508	External Jointing Tape non perforated 50mmx50m	Each
101509	External Jointing Tape perforated 50mmx50m	Each
126144	Intermediate Top Hat 0.75BMT 3000mm	Each
165486	Makita 165mm FC Blade	Each
125614	Screws 10G-18x30mm FibreTEKS CSK Rib Hd Class4 Pk1000	Each
118224	Screws 10G-18x30mm FibreTEKS Csk Rib Hd Collated Pk1000	Each
13172	Sealant Bond Breaker Tesa Multifoam 7492 3x48mmx25m	Each
39378	Sikaflex 11FC Grey 310ml (Backing Strip Adhesive)	Each
39488	Sikaflex Sealant PRO-2HP (310ml tube) Black	Each
11378	Sikaflex Sealant PRO-2HP (310ml tube) Grey	Each
60455	Starter Strip FC 8mm 3000mm EP173000	Each
129333	Thermal Break 6x38x1200mm Pk459LM (where fixing to metal)	Each
112261	Ttex Magic Internal Corner Bead 900x76mm	Each
12254	Ttex Skim Coat Corner Bead 42x3000mm	Each
Cemintel® Coating System		
101543	Cemintel® Skim Coat Medium 20KG	Bucket
101546	Cemintel® Texture Coat Kalahari Med 20KG	Bucket
11017	Hyde Jointing Knife 150mm	Each
13073	Plastic Trowel 280mm	Each
11056	Ragni Trowel 280mm	Each

OTHER CLADDING – FAÇADES & CLADDING COMPRESSED SHEETS



GRANVILLE // NSW

Australian manufactured Cemintel® Compressed Sheets are tried and proven for long term strength.

Designed for use in tough conditions including partitions and noise barriers and heavy duty flooring environments (15mm & 18mm) the comprehensive range consists of multiple thicknesses, widths and lengths.

For specific customised solutions, contact Cemintel®.

Product Code	Thickness (mm)	Width (mm)	Length (mm)	Mass (Nominal)	Sheets per pack
10154	6	1200	2400	11.9kg/m ²	24
10170	12	1200	2400	23.4kg/m ²	12
10171	12	1200	3000	23.4kg/m ²	12
10173	15	900	1800	29.25kg/m ²	12
10174	15	900	2100	29.25kg/m ²	12
10175	15	900	2400	29.25kg/m ²	12
10176	15	900	2700	29.25kg/m ²	12
10177	15	900	3000	29.25kg/m ²	12
10179	15	1200	1800	29.25kg/m ²	12
10180	15	1200	2100	29.25kg/m ²	12
10181	15	1200	2400	29.25kg/m ²	12
10182	15	1200	2700	29.25kg/m ²	12
10183	15	1200	3000	29.25kg/m ²	12
10187	18	900	2400	35.1kg/m ²	10
10188	18	900	3000	35.1kg/m ²	10
10190	18	1200	1800	35.1kg/m ²	10
10192	18	1200	2400	35.1kg/m ²	10
10193	18	1200	3000	35.1kg/m ²	10
10194	24	1200	2400	47kg/m ²	6

Accessories

Product Code	Description	UOM
11177	Backing Rod 10mmx50m	Each
22116	Counter Sinking Tool	Each
11378	Sikaflex® PRO 310mL tube	Each



FAÇADES & CLADDING – OTHER CLADDING

ENDEAVOUR® WEATHERBOARDS

Endeavour® is a traditional weatherboard creating a linear, flat feature with a slight bevelled detail. Each board is touched by the hand of man ensuring quality is to a high standard before it leaves the factory.

This pre-primed weatherboard is a double width board which provides a faster installation. It has an overlap that minimises visible fasteners, giving the final paint finish a smooth appearance.

Endeavour® is gun nailable and can be installed directly to the frame or with a ventilated cavity.

FIGURE 3.16 System Overview

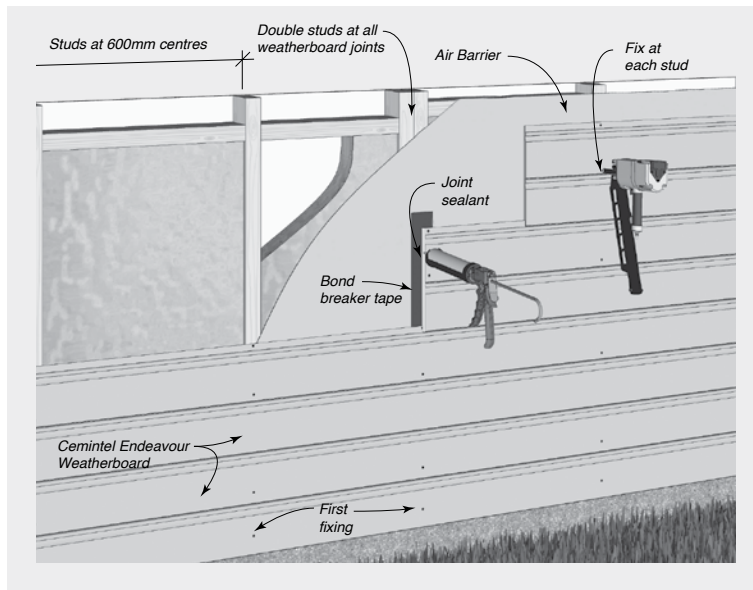
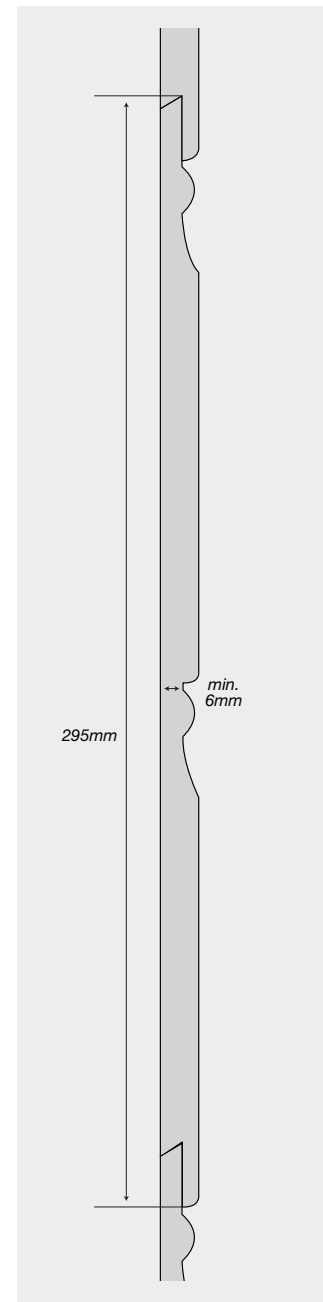


FIGURE 3.17 Profile



Product Code	Thickness (mm)	Width (mm)	Length (mm)	Mass (Nominal)	Panels per pack
51293	10	295 (overall) 278 (effective coverage)	4200	15.7kg/m ²	99

OTHER CLADDING – FAÇADES & CLADDING ENDEAVOUR® WEATHERBOARDS



Accessories

Product Code	Description	UOM
100166	Cemintel® Edge Sealer 200ml	Each
101549	Cemintel® External Jointing Compound 6KG	Bucket
11205	Corner Flashing PVC 50x50mmx2400mm	Each
108451	Corner Mould Metal 2 piece Snap On 3000mm Pk5	Each
11190	Cover Strip PVC 6x38mmx3000mm	Each
165486	Makita 165mm FC Blade	Each
39488	Sikaflex Sealant PRO-2HP (310ml tube) Black	Each
11378	Sikaflex Sealant PRO-2HP (310ml tube) Grey	Each
129333	Thermal Break 6x38x1200mm Pk459LM (where fixing to metal)	Each
Direct Fix		
77258	Nails Fibre Cement 2.8x40mm Galv Pk2kg	Each
77259	Nails Fibre Cement 2.8x50mm Galv Pk2kg	Each
118224	Screws 10G-18x30mm FibreTEKS Csk Rib Hd Collated Pk1000	Each
125614	Screws 10G-18x30mm FibreTEKS CSK Rib Hd Class4 Pk1000	Each
Cavity Fix		
11177	Backing Rod 10mmx50m	Each
125431	Cavity Batten 19mmx2700mm	Each
134426	Eave Trim External Corner White	Each
134429	Eave Trim Internal Corner White	Each
134451	Eave Trim White 3030mm	Each
39378	ExpressWall® Backing Strip Adhesive (310ml tube)	Each
134845	J Track PVC Cavity Vent Strip 19x19x70mmx3000mm	Each
127799	Nails 2.8x50mm D Head Galv Collated Pk3000	Each
127801	Screws 8-10x50mm CSK Rib Head Class3 Pk1000	Each
13172	Sealant Bond Breaker Tesa Multifoam 7492 3x48mmx25m	Each
134783	Self Adhesive Foam Backing Tape 10X30mmx9.1m	Each
115227	Sika Primer 3 250ml	Each
134452	Soffit Trim 18mmx3030mm	Each
134431	Soffit Trim External Corner 18mmx76.5mm x76.5mm	Each
134432	Soffit Trim Internal Corner 18mmx91.5mmx91.5mm	Each



FAÇADES & CLADDING – OTHER CLADDING HEADLAND® WEATHERBOARDS

One of the more traditional weatherboards, Cemintel Headland® has a sharp edged and linear recess. It provides a classic Australian feel and lets you create a variety of stand alone or composite designs. This profile is fixed in a ship-lapped manner and is simple to install.

The weatherboard has a 25mm overlap which conceals fixings and they are gun nailable. The panels are pre-primed and ready for painting to finish your project in your personal style. Choose between a direct fix or ventilated cavity installation option.



FIGURE 3.18 System Overview

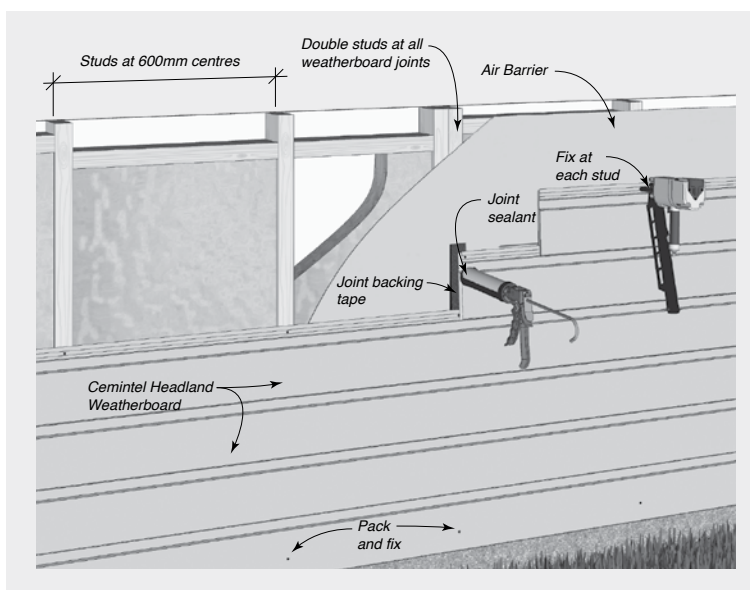
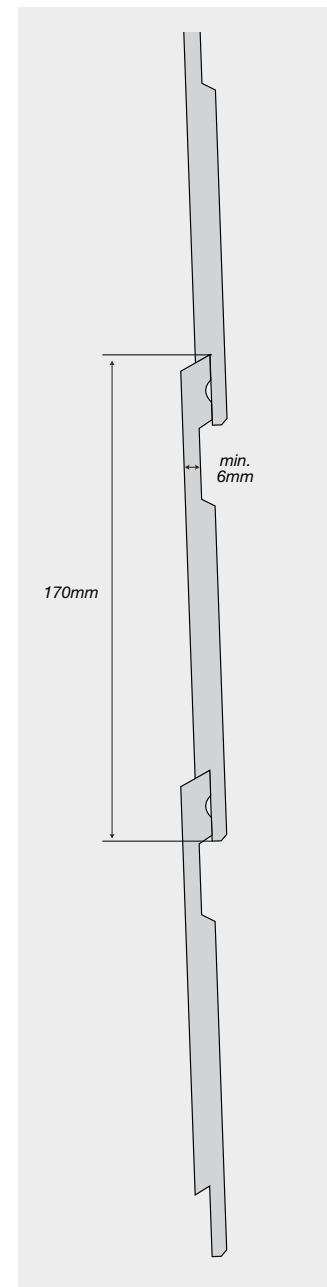


FIGURE 3.19 Profile



Product Code	Thickness (mm)	Width (mm)	Length (mm)	Mass (Nominal)	Panels per pack
51294	10	170 (overall) 145 (effective coverage)	4200	14.3kg/m ²	120

OTHER CLADDING – FAÇADES & CLADDING HEADLAND® WEATHERBOARDS



Accessories

Product Code	Description	UOM
100166	Cemintel® Edge Sealer 200ml	Each
108451	Corner Mould Metal 2 piece Snap On 3000mm Pk5	Each
11205	Corner Flashing PVC 50x50mmx2400mm	Each
11190	Cover Strip PVC 6x38mmx3000mm	Each
165486	Makita 165mm FC Blade	Each
39488	Sikaflex Sealant PRO-2HP (310ml tube) Black	Each
11378	Sikaflex Sealant PRO-2HP (310ml tube) Grey	Each
129333	Thermal Break 6x38x1200mm Pk459LM (where fixing to metal)	Each
Direct Fix		
77258	Nails Fibre Cement 2.8x40mm Galv Pk2kg	Each
77259	Nails Fibre Cement 2.8x50mm Galv Pk2kg	Each
118224	Screws 10G-18x30mm FibreTEKS Csk Rib Hd Collated Pk1000	Each
125614	Screws 10G-18x30mm FibreTEKS CSK Rib Hd Class4 Pk1000	Each
60455	Starter Strip FC 8mmx3000mm EP173000	Each
Cavity Fix		
11177	Backing Rod 10mmx50m	Each
125431	Cavity Batten 19mmx2700mm	Each
134426	Eave Trim External Corner White	Each
134429	Eave Trim Internal Corner White	Each
134451	Eave Trim White 3030mm	Each
134845	J Track PVC Cavity Vent Strip 19x19x70mmx3000mm	Each
127799	Nails 2.8x50mm D Head Galv Collated Pk3000	Each
127801	Screws 8-10x50mm CSK Rib Head Class3 Pk1000	Each
13172	Sealant Bond Breaker Tesa Multifoam 7492 3x48mmx25m	Each
115227	Sika Primer 3 250ml	Each
39378	Sikaflex 11FC Grey 310ml (Backing Strip Adhesive)	Each
134452	Soffit Trim 18mmx3030mm	Each
134431	Soffit Trim External Corner 18mmx76.5mmx76.5mm	Each
134432	Soffit Trim Internal Corner 18mm x91.5mmx91.5mm	Each



FAÇADES & CLADDING – OTHER CLADDING PLANK

Cemintel® Plank provides a flexible, external cladding option for homes. It can be used as a complete external cladding system or for a second storey addition.

The attractive Smooth and Woodgrain finishes provide flexibility. They are available in two widths and can be painted to create your desired finish. The look is completed with a noticeable shadow line from the plank overlap.

The planks provide for fast coverage as they can be nailed directly to the frame or onto battens providing a drained cavity solution.



FIGURE 3.20 System Overview

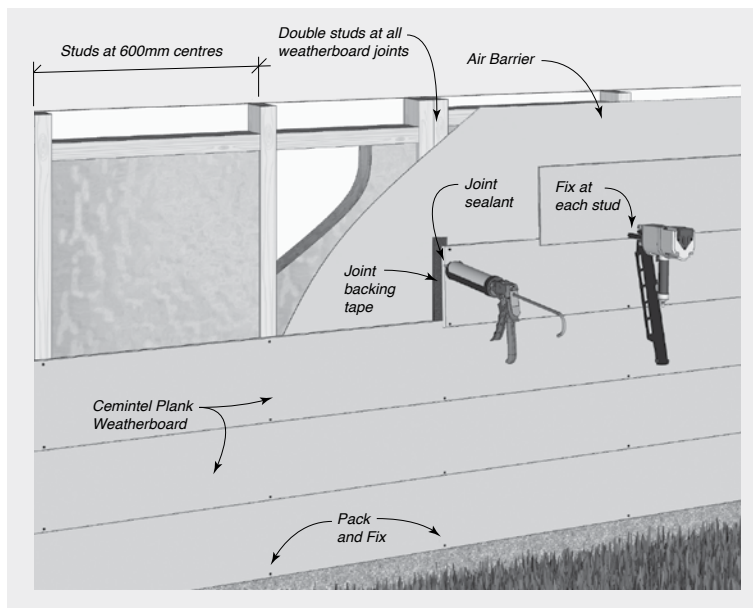
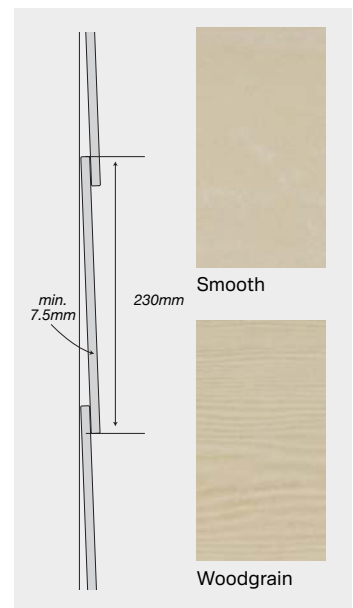


FIGURE 3.21 Profile & Textures



Product Code	Texture	Thickness (mm)	Width (mm)	Length (mm)	Mass (Nominal)	Panels per pack
10226	Smooth	7.5	230 (overall) 205 (effective coverage)	4200	12.2kg/m ²	120
10227	Smooth	7.5	300 (overall) 275 (effective coverage)	4200	12.2kg/m ²	120
10230	Woodgrain	7.5	230 (overall) 205 (effective coverage)	4200	12.2kg/m ²	120
10231	Woodgrain	7.5	300 (overall) 275 (effective coverage)	4200	12.2kg/m ²	120

OTHER CLADDING – FAÇADES & CLADDING PLANK



Accessories

Product Code	Description	UOM
11177	Backing Rod 10mmx50m	Each
100166	Cemintel® Edge Sealer 200ml	Each
108477	Concealed Joint Strip (for between studs 230mm)	Each
108478	Concealed Joint Strip (for between studs 300mm)	Each
11205	Corner Flashing PVC 50x50mmx2400mm	Each
108451	Corner Mould Metal 2 piece Snap On 3000mm Pk5	Each
11190	Cover Strip PVC 6x38mmx3000mm	Each
165486	Makita 165mm FC Blade	Each
11338	Plank Joiner PVC- 230mm Smooth	Each
11340	Plank Joiner PVC- 230mm Woodgrain	Each
11339	Plank Joiner PVC- 300mm Smooth	Each
11341	Plank Joiner PVC- 300mm Woodgrain	Each
108472	Preformed Aluminium Corners - External 230mm	Each
108473	Preformed Aluminium Corners - External 300mm	Each
108474	Preformed Aluminium Corners - Internal 230mm	Each
108475	Preformed Aluminium Corners - Internal 300mm	Each
13172	Sealant Bond Breaker Tesa Multifoam 7492 3x48mmx25m	Each
39488	Sikaflex Sealant PRO-2HP (310ml tube) Black	Each
11378	Sikaflex Sealant PRO-2HP (310ml tube) Grey	Each
129333	Thermal Break 6x38x1200mm Pk459LM (where fixing to metal)	Each
Direct Fix		
77258	Nails Fibre Cement 2.8x40mm Galv Pk2kg	Each
77259	Nails Fibre Cement 2.8x50mm Galv Pk2kg	Each
118224	Screws 10-18x30mm FibreTEKS Csk Rib Hd Collated Pk1000	Each
125614	Screws 10G-18x30mm FibreTEKS CSK Rib Hd Class4 Pk1000	Each
Cavity Fix		
125431	Cavity Batten 19mmx2700mm	Each
134426	Eave Trim External Corner White	Each
134429	Eave Trim Internal Corner White	Each
134451	Eave Trim White 3030mm	Each
134845	J Track PVC Cavity Vent Strip 19x19x70mmx3000mm	Each
127799	Nails 2.8x50mm D Head Galv Collated Pk3000	Each
127801	Screws 8-10x50mm CSK Rib Head Class3 Pk1000	Each
134783	Self Adhesive Foam Backing Tape 10X30mmx9.1m	Each
115227	Sika Primer 3 250ml	Each
39378	Sikaflex 11FC Grey 310ml (Backing Strip Adhesive)	Each
134452	Soffit Trim 18mmx3030mm	Each
134431	Soffit Trim External Corner 18mmx76.5mmx76.5mm	Each
134432	Soffit Trim Internal Corner 18mmx91.5mmx91.5mm	Each



FAÇADES & CLADDING – OTHER CLADDING TEXTURE BASE SHEET AND COATING SYSTEM

Cemintel® Texture Base panels, commonly referred to as 'Blueboard', provide a substrate for a smooth, monolithic surface when utilising textured finishes.

The products are generally used to provide a lightweight solution for second storey residential construction above masonry.



FIGURE 3.22 Jointing & Coating System

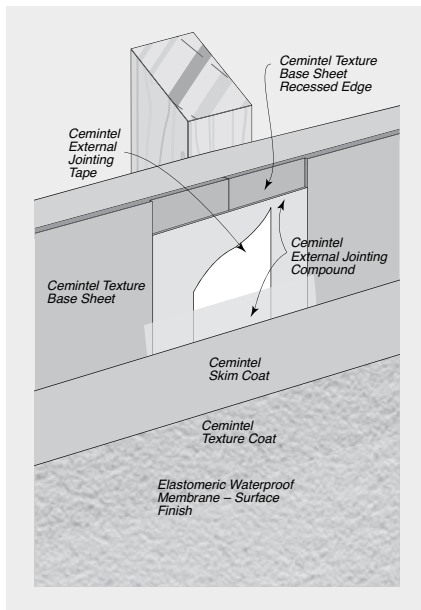
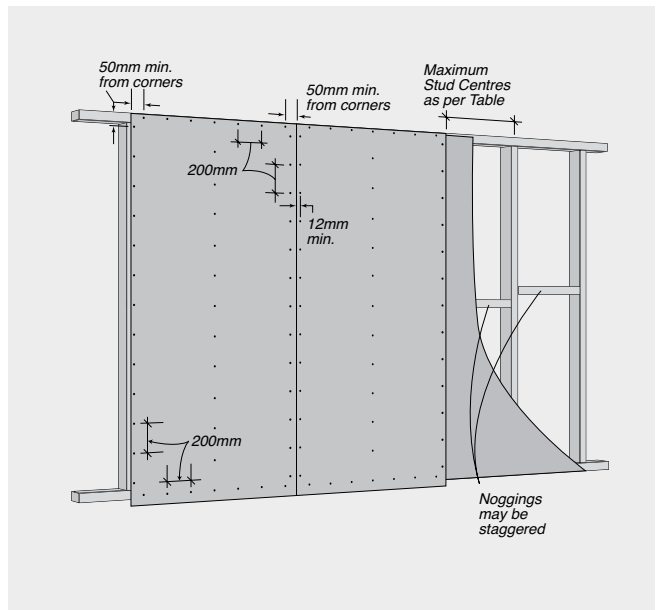


FIGURE 3.23 System Overview – Vertical Fixing of Sheets



Product Code	Thickness (mm)	Width (mm)	Length (mm)	Mass (Nominal)	Panels per pack
10237	7.5	900	2440	11.7kg/m ²	30
10239	7.5	900	3000	11.7kg/m ²	30
10240	7.5	1200	2440	11.7kg/m ²	30
10241	7.5	1200	2725	11.7kg/m ²	30
10242	7.5	1200	3000	11.7kg/m ²	30

OTHER CLADDING – FAÇADES & CLADDING TEXTURE BASE SHEET AND COATING SYSTEM



Accessories

Product Code	Description	UOM
11177	Backing Rod 10mmx50m	Each
100166	Cemintel® Edge Sealer 200ml	Each
101548	Cemintel® External Jointing Compound 15KG	Bucket
101549	Cemintel® External Jointing Compound 6KG	Bucket
10350	Expansion V Joint 6mmx3000mm	Each
101508	External Jointing Tape non perforated 50mmx50m	Each
101509	External Jointing Tape perforated 50mmx50m	Each
111498	Metal Corner Flashing 50x50mmx3030mm	Each
13172	Sealant Bond Breaker Tesa Multifoam 7492 3x48mmx25m	Each
39488	Sikaflex Sealant PRO-2HP (310ml tube) Black	Each
11378	Sikaflex Sealant PRO-2HP (310ml tube) Grey	Each
60455	Starter Strip FC 8mmx3000mm EP173000	Each
129333	Thermal Break 6x38x1200mm Pk459LM (where fixing to metal)	Each
112261	Ttex Magic Internal Corner Bead 900 x 76mm	Each
12254	Ttex Skim Coat Corner Bead 42mmx3000mm	Each
Direct Fix		
77257	Nails Fibre Cement 2.8x30mm Galv Pk2kg	Each
118224	Screws 10G-18x30mm FibreTEKS Csk Rib Hd Collated Pk1000	Each
125614	Screws 10G-18x30mm FibreTEKS CSK Rib Hd Class4 Pk1000	Each
125651	Screws 18x25mm FibreTEKS Class4 10G M4.8mm Pk1000	Each
26626	Screws 35mm WingTEK Csk Rib Hd Class 3 Pk1000	Each
118225	Screws 9-18x25mm FibreTEKS Csk Rib Hd Class 4 Collated Pk1000	Each
Cavity Fix		
125431	Cavity Batten 19mmx2700mm	Each
134426	Eave Trim External Corner White	Each
134429	Eave Trim Internal Corner White	Each
134451	Eave Trim White 3030mm	Each
134845	J Track PVC Cavity Vent Strip 19x19x70mmx3000mm	Each
127799	Nails 2.8x50mm D Head Galv Collated Pk3000	Each
127801	Screws 8-10x50mm CSK Rib Head Class3 Pk1000	Each
134452	Soffit Trim 18mmx3030mm	Each
134431	Soffit Trim External Corner 18mmx76.5mmx76.5mm	Each
134432	Soffit Trim Internal Corner 18mmx91.5mmx91.5mm	Each
Cemintel® Coating System		
101543	Cemintel® Skim Coat Medium 20KG	Bucket
101546	Cemintel® Texture Coat Kalahari Med 20KG	Bucket
165486	Makita 165mm FC Blade	Each
11017	Hyde Jointing Knife 150mm	Each
13073	Plastic Trowel 280mm	Each
11056	Ragni Trowel 280mm	Each



FLOORING & DECKING

FLOORING & DECKING CERAMIC TILE UNDERLAY



Cemintel's® Ceramic Tile Underlay is manufactured in Australia and is for internal use. It is easily installed with a pre-printed nail pattern guide and is a cost effective way to form a flat substrate for laying ceramic tiles over existing floors.

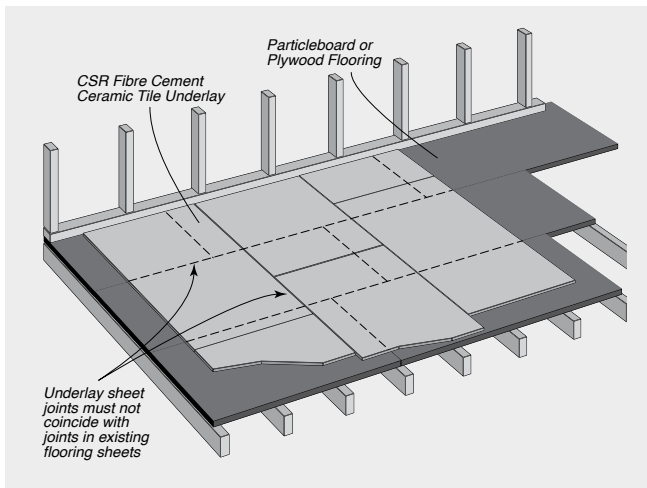
The product provides a thinner solution for a tile substrate that minimises the impact to your floor levels to surrounding areas.

It is an effective option to use over tongue and groove hardwood floors when it's time to tile over them.

// Pre-printed nail pattern guide



FIGURE 4.01 System Overview



Product Code	Thickness (mm)	Width (mm)	Length (mm)	Mass (Nominal)	Panels per pack
10243	6	900	1800	9.4kg/m ²	30

Accessories

Product Code	Description	UOM
77253	Nails Fibre Cement Underlay 2.5x25mm Pk2kg	Each

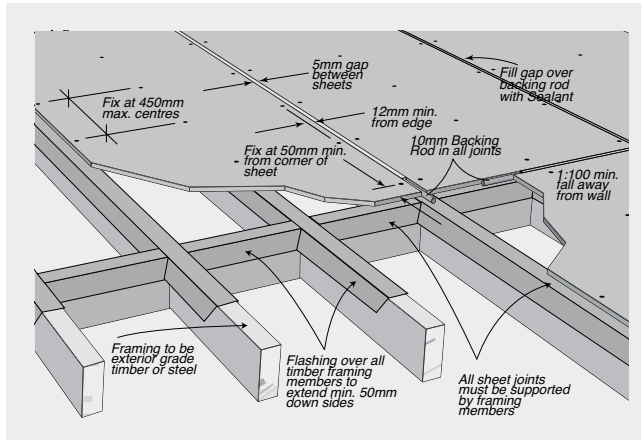


FLOORING & DECKING COMPRESSED SHEET

Australian manufactured Cemintel® Compressed sheets are tried and proven for long term strength.

Reserved for use in tough conditions including wet area flooring and decking, the panels can be covered in tiles and other floor coverings. The products are manufactured in Australia.

FIGURE 4.02 Decking System Overview



Note: 15mm - maximum span 450mm centres. 18mm - maximum span 600 centres.

Product Code	Thickness (mm)	Width (mm)	Length (mm)	Mass (Nominal)	Sheets per pack
10173	15	900	1800	29.25kg/m ²	12
10174	15	900	2100	29.25kg/m ²	12
10175	15	900	2400	29.25kg/m ²	12
10176	15	900	2700	29.25kg/m ²	12
10177	15	900	3000	29.25kg/m ²	12
10179	15	1200	1800	29.25kg/m ²	12
10180	15	1200	2100	29.25kg/m ²	12
10181	15	1200	2400	29.25kg/m ²	12
10182	15	1200	2700	29.25kg/m ²	12
10183	15	1200	3000	29.25kg/m ²	12
10187	18	900	2400	35.1kg/m ²	10
10188	18	900	3000	35.1kg/m ²	10
10190	18	1200	1800	35.1kg/m ²	10
10192	18	1200	2400	35.1kg/m ²	10
10193	18	1200	3000	35.1kg/m ²	10
10194	24	1200	2400	35.1kg/m ²	6

Accessories

Product Code	Description	UOM
11177	Backing Rod 10mm 50m roll	Each
22116	Counter Sinking Tool	Each
11378	Sikaflex® PRO 310mL tube	Each

FLOORING & DECKING CONSTRUCTAFLOOR®

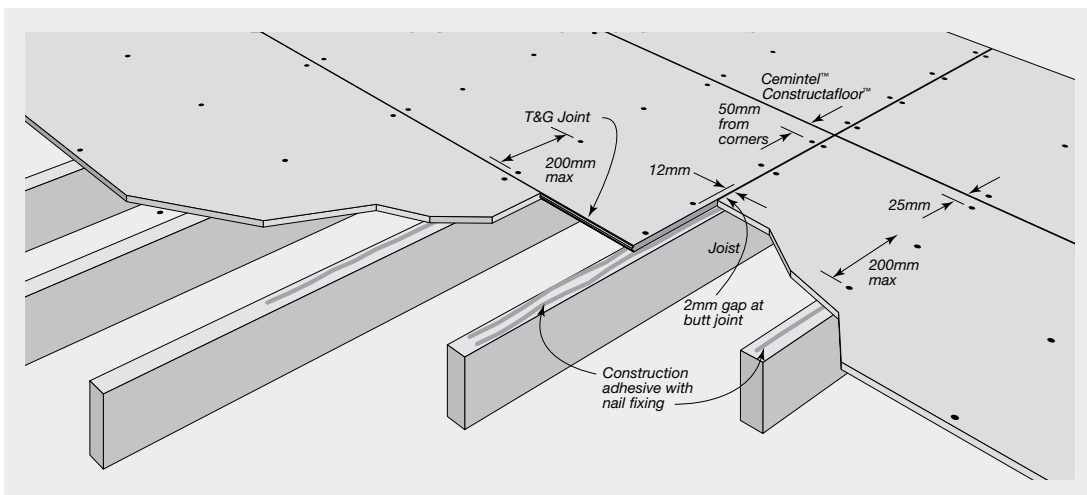


Cemintel Constructafloor® is a gun nailable, fibre cement structural flooring product. The product comes in an internal and external version.

The panels have a tongue and groove joint which keeps stability between joists and reduces the risk of membrane cracking. They do not contain any magnesium chloride (salt) which can lead to rusting of fittings and steel frames.

The product can provide a seamless flow from room to room as it keeps the same floor level. This means no need to do cut outs. As the product is nailable, installation can be faster as no countersinking is required.

FIGURE 4.03 Constructafloor® Wet Area Flooring



Note: Maximum span 450mm centres.

	Product Code	Thickness (mm)	Width (mm)	Length (mm)	Mass (Nominal)	Panels per pack
External	115659	19	600	2700	23.5kg/m ²	20
Internal	115657	19	600	2700	23.5kg/m ²	20

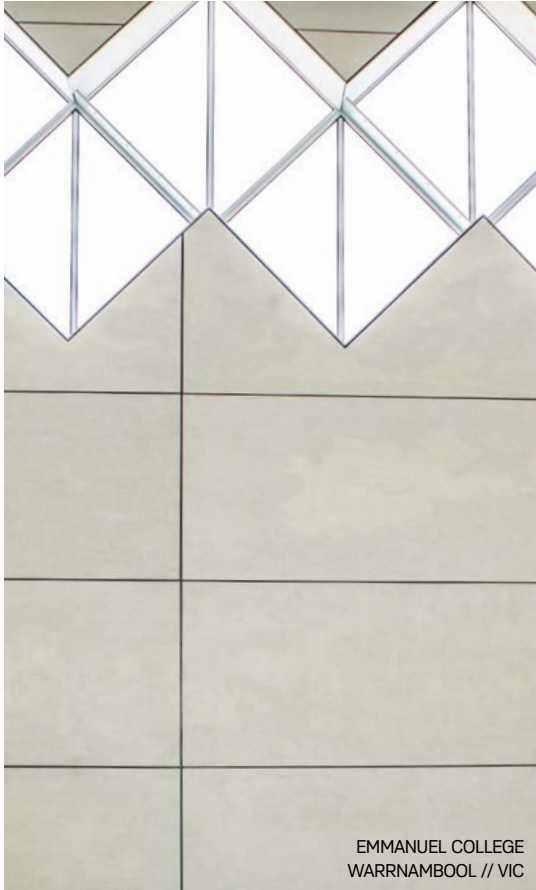
Accessories

Product Code	Description	UOM
11177	Backing Rod 10mmx50m	Each
10902	Gyprock Wet Area Sealant 450g 300ml	Each
11206	Perimeter Flashing PVC 50x75mmx3000mm	Each
39378	Sikaflex 11FC 310ml Grey (Backing Strip Adhesive)	Each
39488	Sikaflex Sealant PRO-2HP (310ml tube) Black	Each
11378	Sikaflex Sealant PRO-2HP (310ml tube) Grey	Each

05

INTERNAL LININGS

INTERNAL LININGS BARESTONE™ INTERNAL



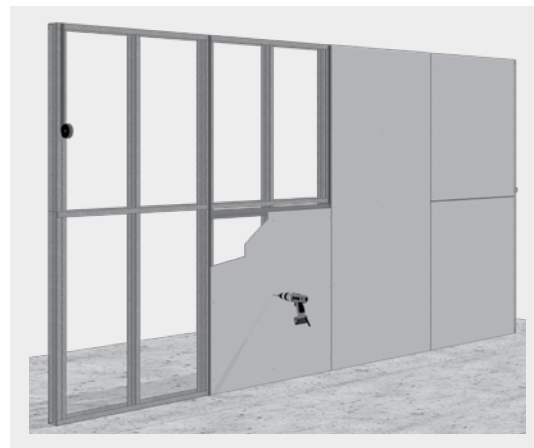
EMMANUEL COLLEGE
WARRNAMBOOL // VIC

Cemintel Barestone™ Internal provides a raw, contemporary finish for an internal application in a prefinished, lightweight panel product.

The product has a highly effective stain resistant coating applied to combat standard household items such as oils, wine and food.

Installing internally is simple with the product able to be adhered either directly to timber or steel battens, or alternatively, and for a more industrial look, exposed screw fixed.

FIGURE 5.01 System Overview
– Exposed screw fix method



Exposed Screw method shown. Concealed fixing options are also available – refer to Cemintel®.

Product Code	Thickness (mm)	Width (mm)	Length (mm)	Mass (Nominal)	Panels per pack
135243	9	1200	2400	17.8kg/m ²	10

Accessories

Product Code	Description	UOM
140722	Barestone™ Interior Touch Up 200ml	Each
132317	Closed Cell Batten Tape 1.6mmx28mm 23m	Each
21089	ExpressWall® Backing Strip 1194mm	Each
21088	ExpressWall® Backing Strip 2394mm	Each
21087	ExpressWall® Backing Strip 2994mm	Each
165486	Makita 165mm FC Blade	Each
127799	Nails 2.8x50mm D Head Galv Collated Pk3000	Each
139844	Screw 8Gx32mm Self Drilling Security Head 410ss Pk100	Each
127801	Screws 8-10x50mm CSK Rib Head Class3 Pk1000	Each
140683	Sika Activator 205 1000ml	Each
140549	Sika Primer 206 250ml	Each
140550	Sika Primer 215 250ml	Each
115227	Sika Primer 3 250ml	Each
140723	Sika Primer 3N 1000ml	Each
154403	SikaTack Panel 10 600ml grey	Each
140681	SikaTack panel Tape 33m	Each

05

INTERNAL LININGS CEMINSEAL® WALLBOARD

CeminSeal® Wallboard is the flagship product of the business and manufactured in Australia. It is a superior wet area internal lining and tile substrate product designed and tested for compliance and peace of mind.

Cemintel's unique CeminSeal® water block technology repels water and increases paint adhesion. It has been applied to the face of the panel and been tested to show increased water resistance as water beads instead of soaking in.

The smooth finish of CeminSeal® Wallboard is due to Cemintel's® unique full steel template manufacturing process. The smoother the finish of the board means less work for the contractors for fixing and setting. At the same time, it provides an excellent paintable surface.

CeminSeal® Wallboard is available in either recessed edge or square edge options.

The product is suitable for impact resistance in environments such as schools and hospitals.



FIGURE 5.02 System Overview – Square Edge Wallboard

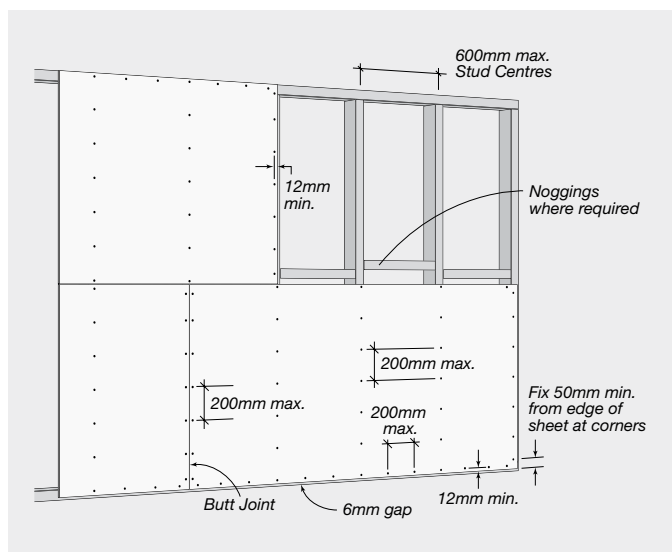
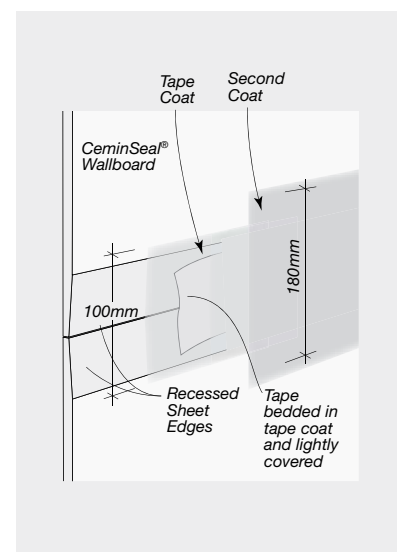


FIGURE 5.03 System Overview – Recessed Edge Jointing – Tiled areas



INTERNAL LININGS CEMINSEAL® WALLBOARD



Product Code	Edge Profile	Thickness (mm)	Width (mm)	Length (mm)	Mass (EMC)	Panels per pack
95826	Recessed	6	900	3000	9.8kg/m ²	30
95827	Recessed	6	1200	1800	9.8kg/m ²	30
95828	Recessed	6	1200	2400	9.8kg/m ²	30
95829	Recessed	6	1200	2700	9.8kg/m ²	30
95830	Recessed	6	1200	3000	9.8kg/m ²	30
95841	Recessed	6	1200	3600	9.8kg/m ²	30
95842	Recessed	6	1200	4200	9.8kg/m ²	30
95843	Recessed	6	1350	2400	9.8kg/m ²	30
95844	Recessed	6	1350	3000	9.8kg/m ²	30
95845	Recessed	6	1350	3600	9.8kg/m ²	30
95846	Recessed	6	1350	4200	9.8kg/m ²	30
95847	Recessed	9	1200	2400	14.5kg/m ²	30
95848	Recessed	9	1200	2700	14.5kg/m ²	30
95849	Recessed	9	1200	3000	14.5kg/m ²	30
95825	Recessed	12	1200	3000	18.8kg/m ²	30
95850	Square	6	1200	2400	9.8kg/m ²	30
95851	Square	6	1200	2700	9.8kg/m ²	30
95852	Square	6	1200	3000	9.8kg/m ²	30
95861	Square	6	1200	3600	9.8kg/m ²	30
95862	Square	9	1200	2700	14.5kg/m ²	30
95863	Square	9	1200	3000	14.5kg/m ²	30

Accessories

Product Code	Description	UOM
10389	5mm Suspension Rod (drop 600mm) 3600 P121	Each
10432	Bracket Angle P247	Each
10410	Bracket Flat Suspension Rod P274	Each
10431	Bracket Wall Angle P188	Each
10404	Clip - Direct Fix - Furring Channel P226	Each
10435	Clip - Direct Fix - Furring Channel P394	Each
10407	Clip Suspension Top Rail P2534	Each
10350	Expansion V Joint 6mm 3000	Each
21089	ExpressWall® Backing Strip 1194mm	Each
21088	ExpressWall® Backing Strip 2394mm	Each
21087	ExpressWall® Backing Strip 2994mm	Each
12122	Furring Channel 28mm 3000mm	Each
10394	Furring Channel 28mm 3600 P129	Each
10464	Furring Channel 28mm 4800 P129	Each
10395	Furring Channel 28mm 6000 P129	Each
10465	Furring Channel Wall Track 3000 P140	Each

05

INTERNAL LININGS
CEMINSEAL® WALLBOARD**Accessories**

Product Code	Description	UOM
11205	Corner Flashing PVC 50x50mm 2400mm	Each
10584	Gyprock Easy Tape	Each
10586	Gyprock Paper Tape 150m	Each
10589	Gyprock Paper Tape 75m	Each
10090	Gyprock Stud Adhesive 1kg	Bucket
10091	Gyprock Stud Adhesive 5.5kg	Bucket
95082	Gyprock Stud Adhesive 900g sausage	Tube
10146	Gyprock Wet Area Base Coat 15kg Bucket	Bucket
10902	Gyprock Wet Area Sealant 450g 300ml	Each
11253	H Mould PVC 6mm 2400mm	Each
11255	H Mould PVC 6mm 3000mm	Each
11256	H Mould PVC 6mm 3600mm	Each
10351	Hideaway W Expansion Joint 9mm 3000	Each
10409	Joiner 127 Top Cross Rail P272	Each
10400	Joiner 129 or 308 Furring Channel P138	Each
10401	Locking Key 129/308 Furring Channel P139	Each
77257	Nails Fibre Cement 2.8x30mm Galv Pk2kg	Each
77258	Nails Fibre Cement 2.8x40mm Galv Pk2kg	Each
11206	Perimeter Flashing 50x75mm 3000mm	Each
125614	Screws 10G-18x30mm FibreTEKS CSK Rib Hd Class4 Pk1000	Each
118224	Screws 10G-18x30mm FibreTEKS Csk Rib Hd Collated Pk1000	Each
125651	Screws 18x25mm FibreTEKS Class4 10G M4.8mm Pk1000	Each
118225	Screws 9-18x25mm FibreTEKS Csk Rib Hd Class 4 Collated Pk1000	Each
109243	Screws No8x20mm NP up to 0.8mm Steel framing	Each
13172	Sealant Bond Breaker Tesa Multifoam 7492 3x48mm 25m	Each
61021	Shadow Bead 6mm 3000mm	Each
115227	Sika Primer 3 250ml	Each
39488	Sikaflex Sealant PRO-2HP (310ml tube) Black	Each
11378	Sikaflex Sealant PRO-2HP (310ml tube) Grey	Each
85771	SoffitLine® External Jointing Compound	Each
95382	Soffitline® Topping Coat 15kg	Each
10428	Top Cross Rail 38mm 4800 P128	Each

INTERNAL LININGS
EDGE CLADDING



This is a hidden gem in the Cemintel® portfolio. A pre-primed, external vertical cladding panel with sharp grooves allows for creative application of the product that pairs fantastically with the whole Cemintel® range.

The grooves are very sharp and clean so you don't have to remove burring before you paint – it's ready to go.

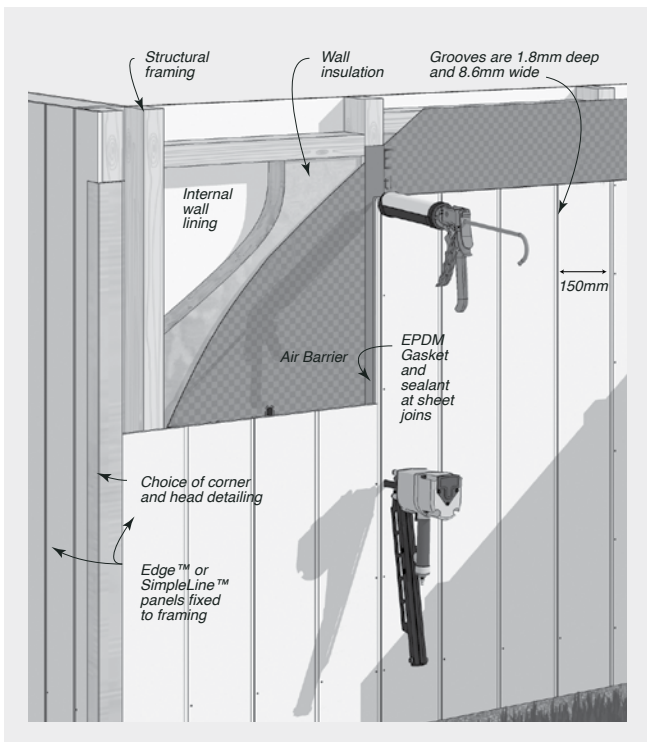
The panels are gun nailable to provide speedy construction and good coverage. The direct fix method saves space and time.

The ship-lap joint runs along the long edge, and allows for frame movement and avoids joint cracking. It can be installed direct on studs or as a cavity system.

Edge can also be used in customised solutions* for eaves, ceilings, soffits and internal linings.

See relevant sections for more information or contact Cemintel®.

FIGURE 3.24 Typical Direct Fix System



Product Code	Thickness (mm)	Width (mm)	Length (mm)	Mass (Nominal)	Panels per pack
115654	9	1200	2450	12kg/m ²	30
115655	9	1200	2750	12kg/m ²	30
115656	9	1200	3000	12kg/m ²	30

*Customised solutions can be provided upon request. Please contact Cemintel® on 1300 236 468.

05

INTERNAL LININGS
SURROUND™

A European manufactured, prefinished range that is expertly put together so that you can mix and match colours with confidence. The secondary palette provides great colours to use internally for feature walls and is open to creative interpretation.

Please refer to pages 26-28 for Surround™ product information.

FIGURE 5.04 System Overview – Rivet Fixing

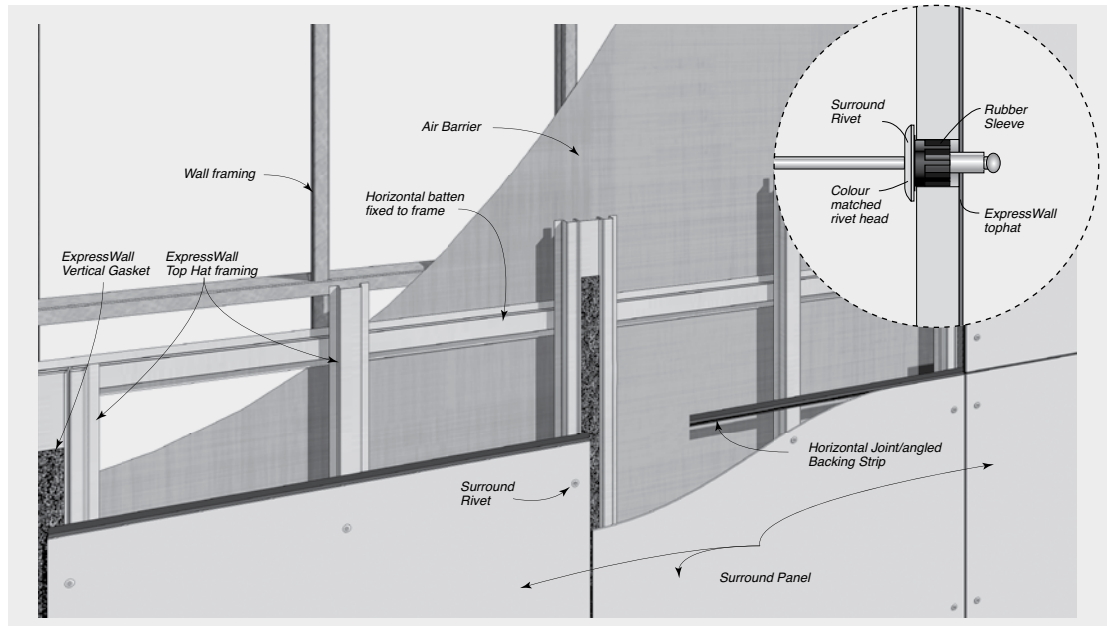
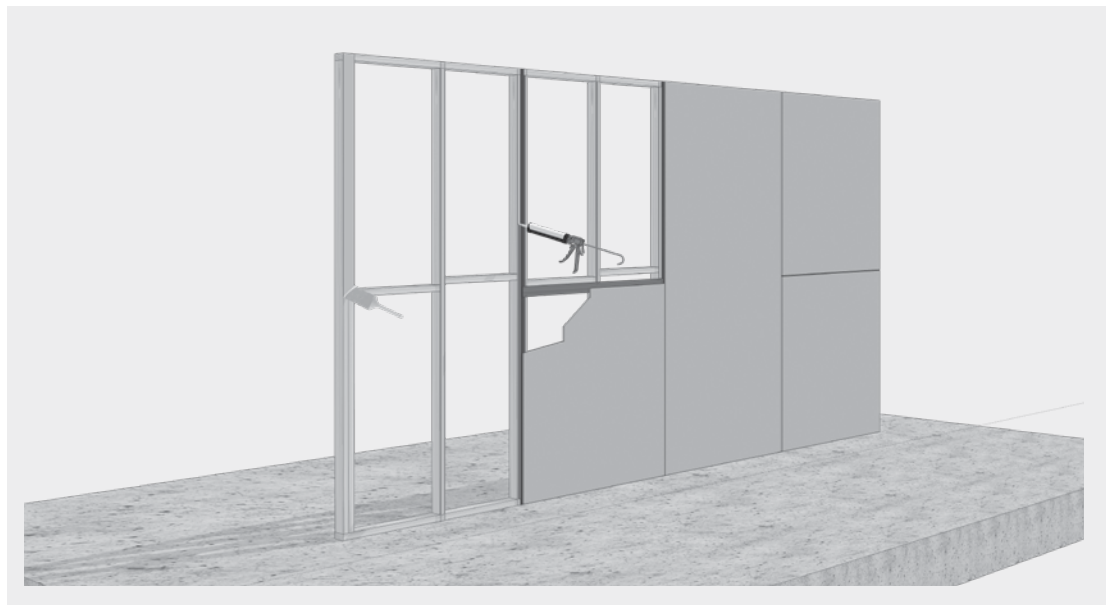


FIGURE 5.05 System Overview – Direct Fix



Thickness (mm)	Width (mm)	Length (mm)	Mass (Nominal)	Panels per pack
8	1200	3000	15.7kg/m ²	40

INTERNAL LININGS
SURROUND™**Accessories**

Product Code	Description	UOM
100166	Cemintel® Edge Sealer	Each
132317	Closed Cell Batten Tape 1.6mmx28mmx23m	Each
21089	ExpressWall® Backing Strip 1194mm	Each
21088	ExpressWall® Backing Strip 2394mm	Each
21087	ExpressWall® Backing Strip 2994mm	Each
165486	Makita 165mm FC Blade	Each
127799	Nails 2.8x50mm D Head Galv Collated Pk3000	Each
139844	Screw 8Gx32mm Self Drilling Security Head 410ss Pk100	Each
127801	Screws 8-10x50mm CSK Rib Head Class3 Pk1000	Each
140683	Sika Activator 205 1000ml	Each
140549	Sika Primer 206 250ml	Each
140550	Sika Primer 215 250ml	Each
115227	Sika Primer 3 250ml	Each
140723	Sika Primer 3N 1000ml	Each
154403	SikaTack Panel 10 600ml Grey	Each
140681	SikaTack Panel Tape 33m	Each

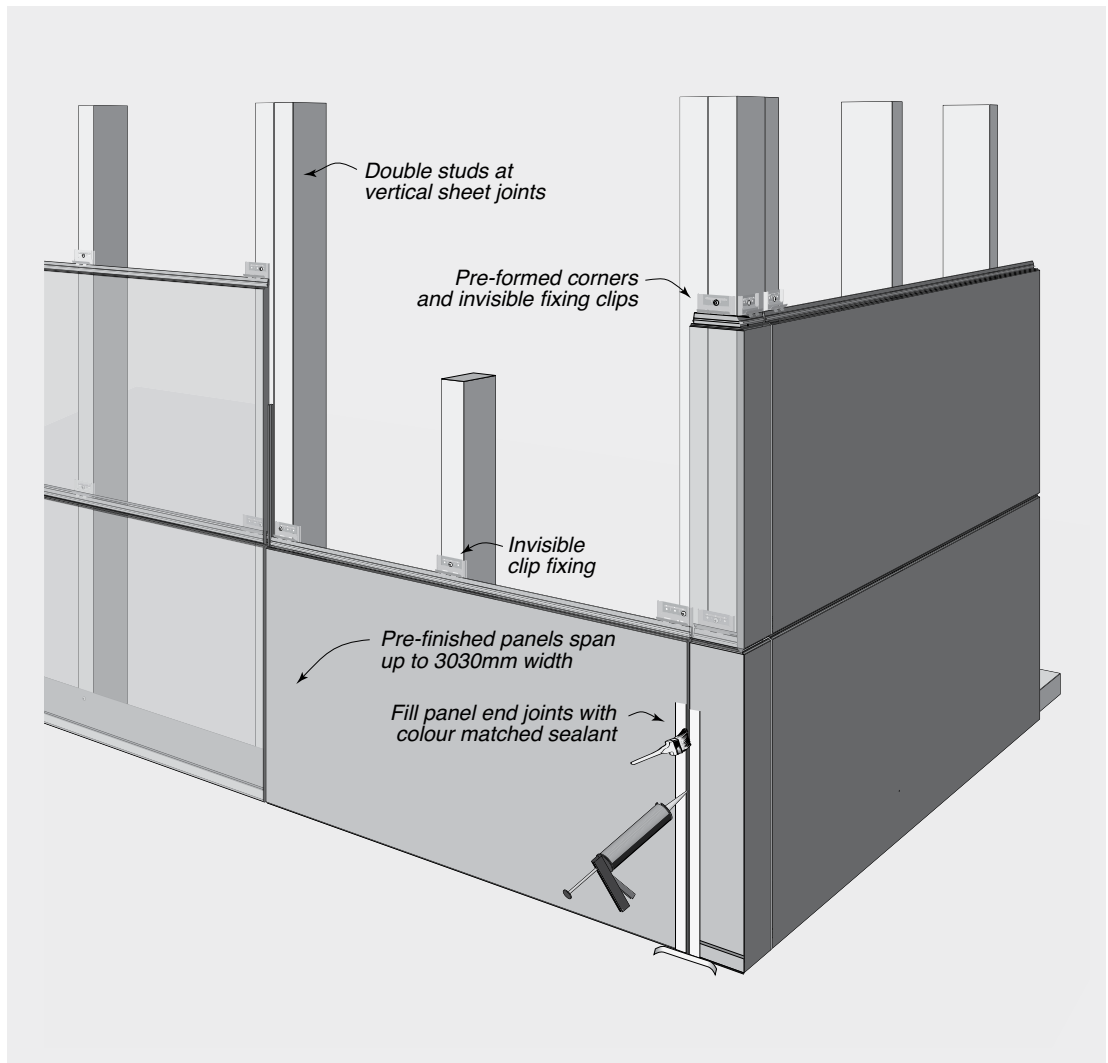
05

INTERNAL LININGS TERRITORY™ FEATURING DESIGNER SERIES FIXING SYSTEM

Cemintel Territory™ is a natural cladding range that comes from Japanese values of simplicity, nature and quality. It is a building block to your home style.

The prefinished cladding panels simulate materials like stone, timber, concrete, metal, tiles and smooth render in a sophisticated way to enhance building façades but without the ongoing maintenance. The product can be installed vertically or horizontally.

FIGURE 5.06 Horizontal Installation



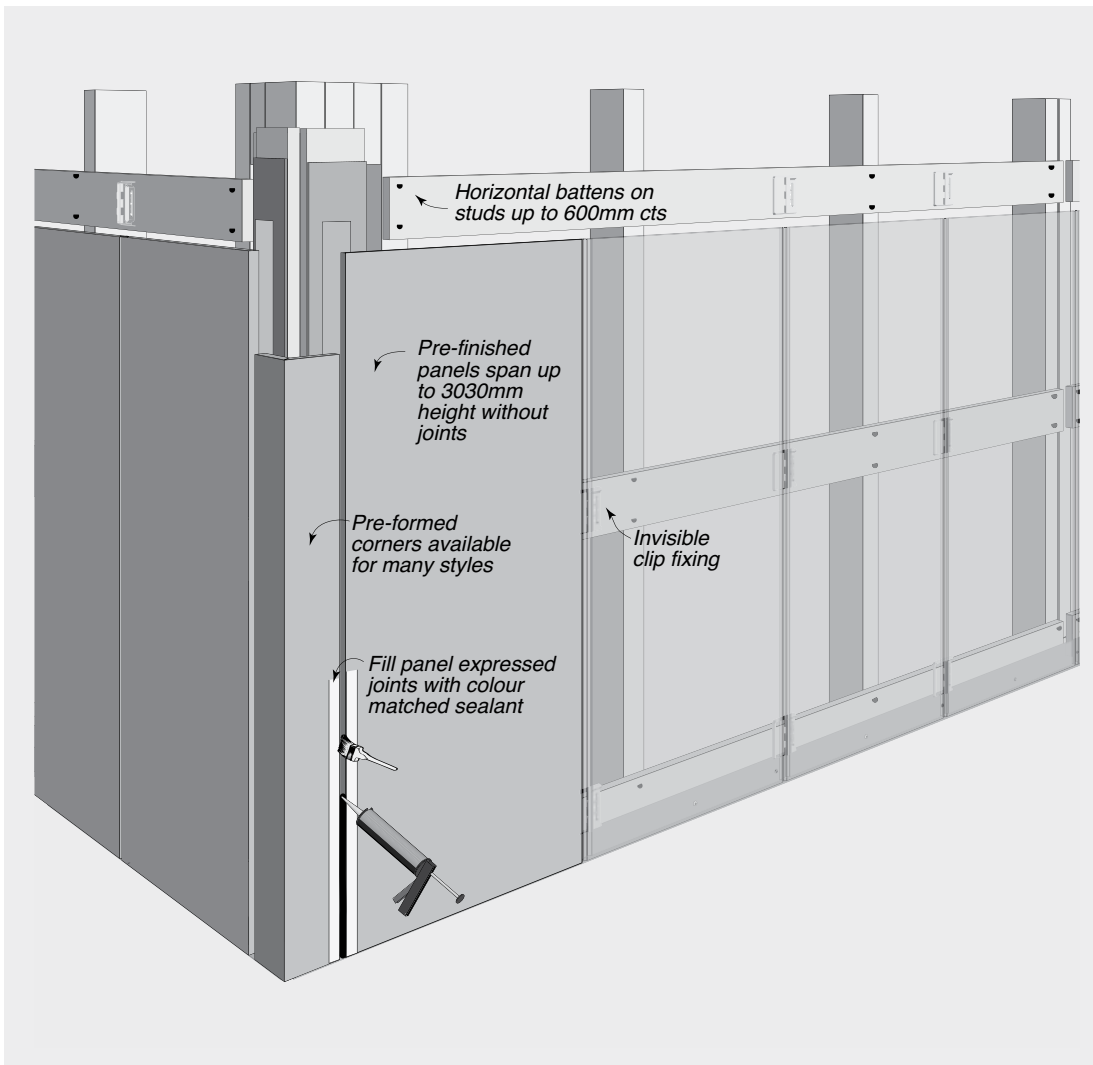
As Territory™ is a prefinished product, product images may vary from the actual product in regard to colour and surface finish. Panels should be inspected by the builder/installer prior to installation to ensure they meet aesthetic requirements.

Please refer to Section 04 pages 29-34 for Territory™ product information and the Territory™ Internal Design and Installation Guide.

TERRITORY™ FEATURING DESIGNER SERIES FIXING SYSTEM



FIGURE 5.07 Vertical Installation



Thickness (mm)	Width (mm)	Length (mm)	Mass (EMC)
16	470 (overall width)	3030	17.9-21.8kg/m ² (depending on finish)
	455 (effective coverage)		

06

06

AIR BARRIER

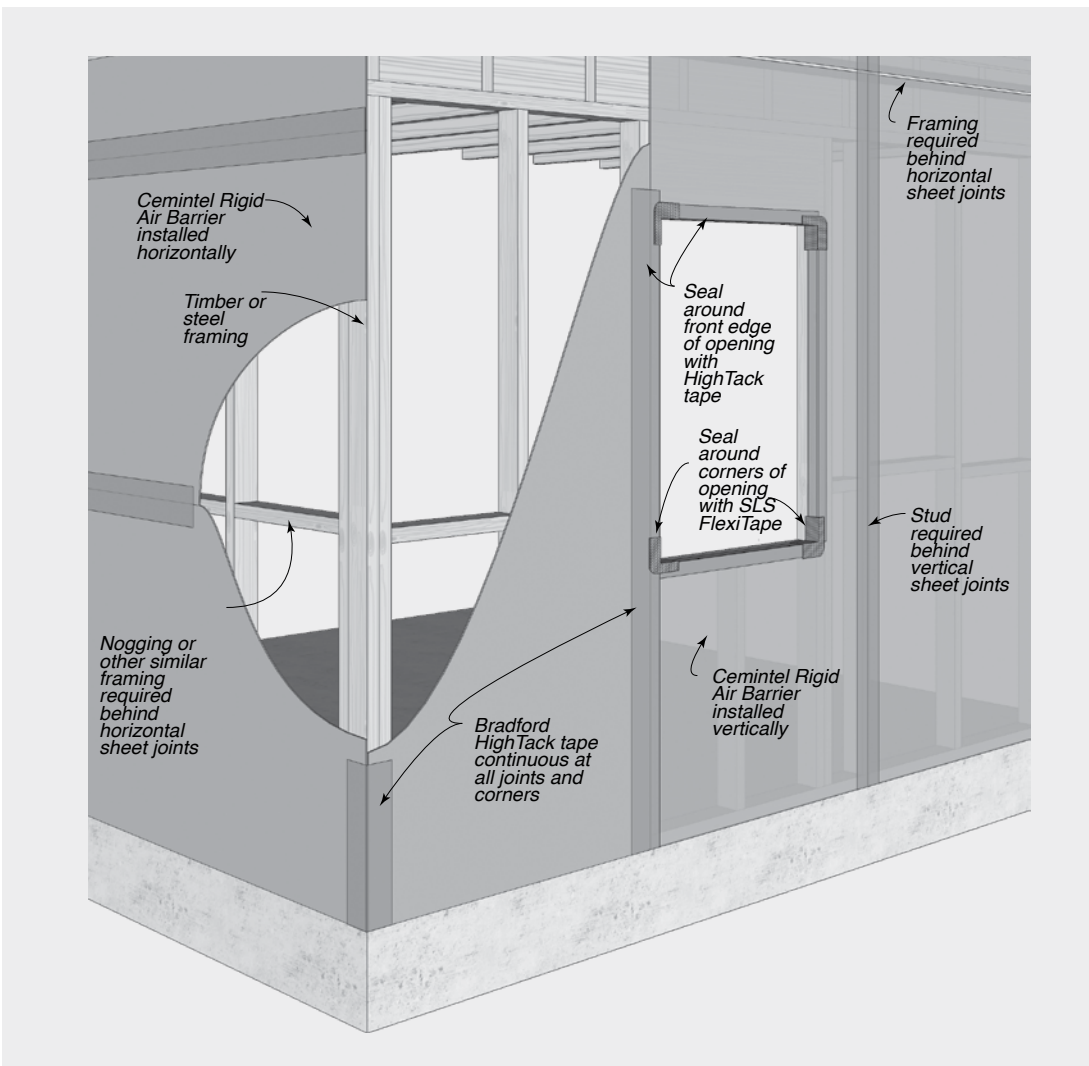
AIR BARRIER
RIGID AIR BARRIER™



This product is a 6mm, square edged fibre cement panel that is sealed on the face and edges using CemintSeal® waterblock technology.

Air barriers are an integral component of a pressure equalised façade system. Pressure equalised systems consist of a cladding or rain screen installed with a ventilated cavity and form an effective method of weatherproofing buildings. For ventilated cavity system installations where wind loads exceed 1.5kPa, Cemintel® recommends that a Rigid Air Barrier™ be used instead of wall wrap.

FIGURE 6.01 System Overview



Product Code	Thickness (mm)	Width (mm)	Length (mm)	Mass (Nominal)	Panels per pack
170076	6	1200	3000	9.4kg/m ²	30

Note: Rigid Air Barrier™ can be made to order. Minimum order quantities and lead times apply. Refer to Cemintel® for more information.

07

07

SAFETY, HANDLING &
GENERAL CARE

SAFETY, HANDLING AND GENERAL CARE

Safety, Handling and General Care

Cemintel®, part of CSR Building Materials, has a very strong safety culture. As an employer, it wants to ensure that all employees are able to work in a safe environment so that they return home every day. Further, it is committed to providing recommendations for the safe use of our products. This is for the safety of people that handle, transport, install and live with Cemintel® products.

Health, Safety and Personal Protection Equipment (PPE)

Panels contain silica (commonly known as sand) that are harmful if inhaled.

Silica is commonly found in building products like concrete, bricks and glass and all fibre cement products. People come into contact with silica everyday as it is commonly used in building products.

When silica is intact, it is harmless. When it is cut or drilled however, fine particles are released and can be inhaled into the lungs. Breathing in excessive amounts of this respirable silica can cause a potentially fatal lung disease known as silicosis, and other potential diseases.

Cemintel® recommend practices to minimise the risk of harm from silica.

Cutting

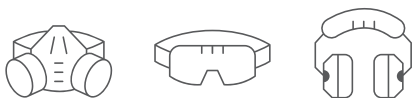
Protective clothing and breathing equipment should be worn when cutting products.

When cutting, sanding drilling, grinding or other machining, you should always wear a P1 or P2 respirator and advise others in the immediate area.

When cutting fibre cement indoors, you should use the following implements:

- Score and snap knife
- Hand guillotine
- Fibre Shears (manual, electric or pneumatic)

When cutting outdoors, always ensure the work area is properly ventilated. Position the cutting station so wind will blow dust away from the user or others in the working area.



- Use a dust reducing plunge saw equipped with a dust extraction system.
- An approved dust mask (AS1715 and AS1716) and safety glasses (AS1337) must be worn.
- Hearing protection should also be worn.

Safety Data Sheet information is available at cemintel.com.au/technical

Storage

Products should be stacked flat clear of the ground and supported at 300mm maximum centres on a level platform.

Products must be kept dry, preferably stored inside the building. Panels must be dry prior to fixing, hence if it is necessary to store outside, the product must be protected from the weather by a waterproof covering.

Handling

Plank Products:

- Do not lift planks in the middle
- Carry planks on their edge
- If only one person is carrying a plank product, hold it in the middle and spread arms apart to better support the product.
- If two people are carrying a plank product, hold it near each end and on edge.

Panel Products

- Carry with two people
- Hold panel
- When handling panel products, exercise care to avoid damaging the corner

Prefinished Products

- Panels and corners must be treated with care during handling so as to avoid damage to edges, ends and the prefinished surface
- Panels should be carried horizontally on edge by two people.
- Consideration should be given to the activity of other tradespeople, in particular, a brick cleaner. It is highly recommended that installation of prefinished products be held off until the process of brick cleaning has been completed so as to avoid damage.

Important Reminders

1. **NEVER** use a power saw indoors.
2. **NEVER** use a saw blade that is not purpose-made for cutting fibre cement products.
3. **NEVER** dry sweep.
4. **ALWAYS** follow tool manufacturers' safety recommendations.
5. **ALWAYS** maintain tools in a clean condition.



BARESTONE EXTERNAL

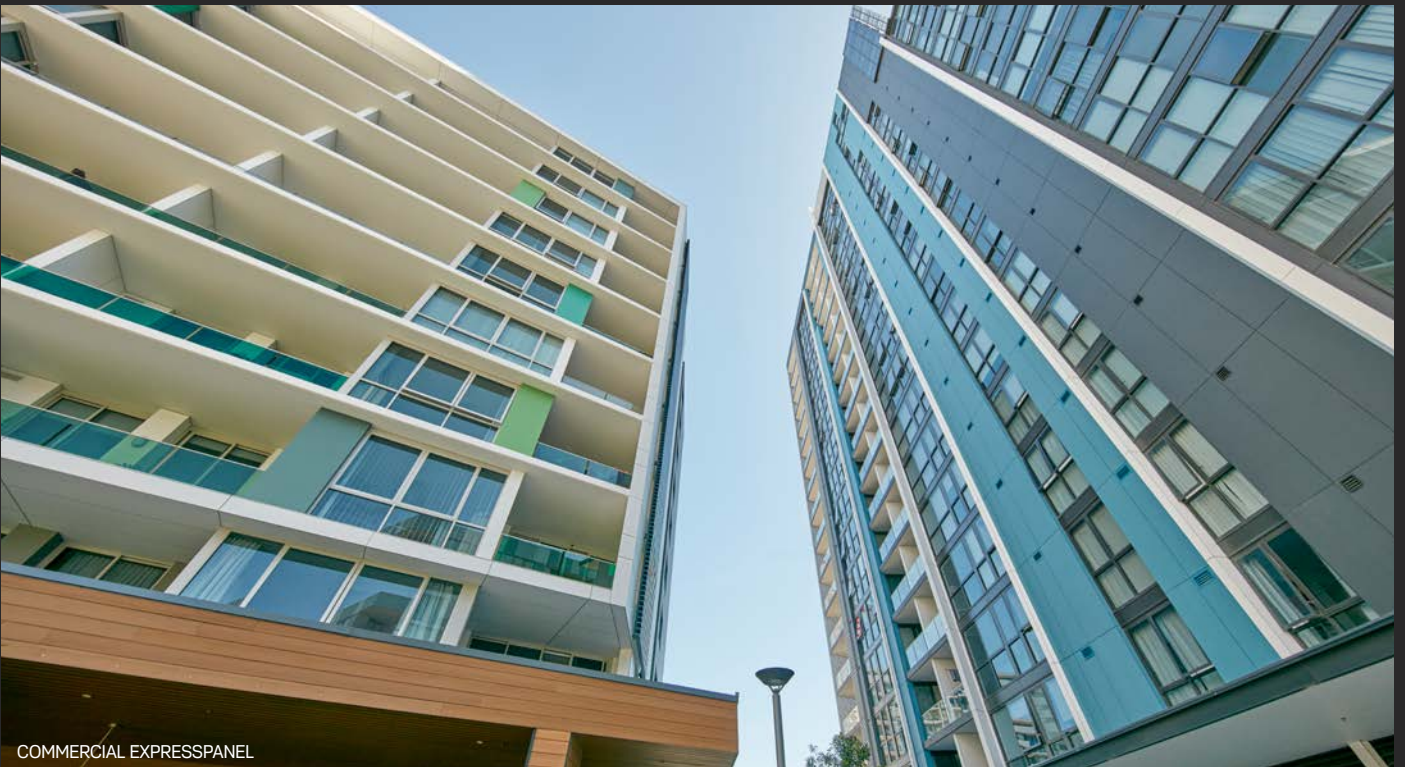


QUARRY // URBAN GREY



WEATHERBOARDS // SCARBOROUGH

FEATURING A RANGE OF CEMINTEL PRODUCTS



COMMERCIAL EXPRESSPANEL



SURROUND // BLACKISH



CANYON // RIPPLE



Our Offices

Brisbane

768 Boundary Road
Coopers Plains QLD 4108

Sydney

376 Victoria Street
Wetherill Park NSW 2164

Melbourne

277 Whitehall Street
Yarraville VIC 3013

Adelaide

Lot 100 Sharp Court
Mawson Lakes SA 5095

Perth

19 Sheffield Road
Welshpool WA 6106

Hobart

11 Farley Street
Derwent Park TAS 7009

Darwin

Cnr Stuart Highway &
Angliss Street
Berrimah NT 0828

cemintel.com.au
1300 236 468

For Design and Technical Support:
DesignLink – 1800 621 117

Cemintel is a trading entity of CSR Building Products Limited (ACN 008 631 365).

Disclaimer: Information presented in this document is supplied in good faith and to the best of our knowledge, was accurate at the time of preparation. Products are subject to natural variation as part of the manufacturing process. Product images may vary from actual product in regard to colour and surface finish. The provision of this information should not be construed as a recommendation to use any of our products in violation of any patent rights or in breach of any statute or regulation. Users are advised to make their own determination as to the suitability of this information in relation to their particular purpose or specific circumstances. Since the information contained in this document may be applied under conditions beyond our control, no responsibility can be accepted by Cemintel, or its staff for any loss or damage caused by any person acting or refraining from action as a result of misuse of this information.