



# The Choice is Ezi!

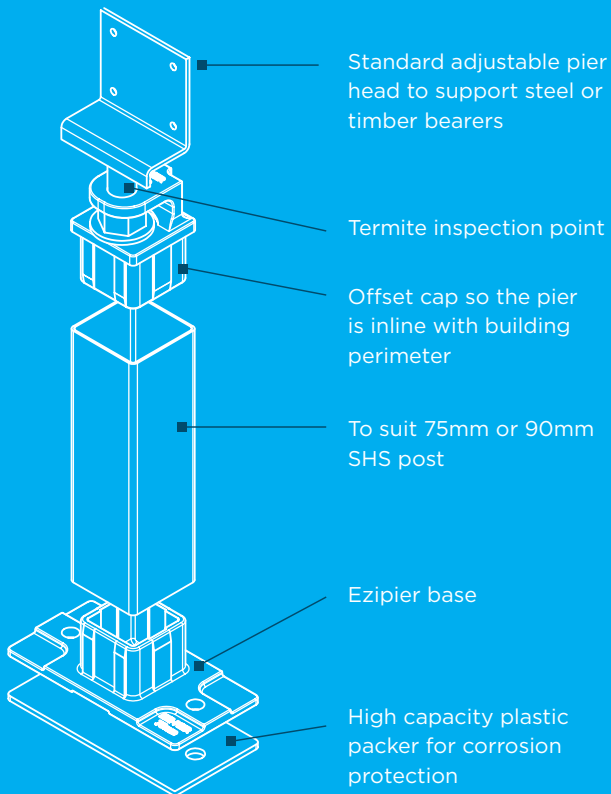
**The adjustable Ezipier pier makes it quick and easy to achieve the right height for your floor - it's the affordable site solution!**

## **Why your choice is 'Ezi'?**

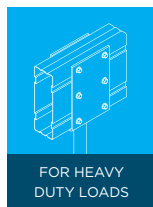
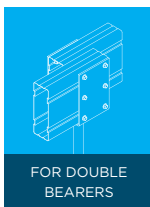
- Ideal for steel and timber floors
- Range of adjustable heads
- Hot dipped galvanised
- High capacity - fully engineered
- Suits 75x75 and 90x90 SHS posts
- Offset to line up with building perimeter

# ezipier™

We've done the thinking for you



## ADJUSTABLE HEADS TO SUIT ALL FLOOR DESIGNS.



**SPANTEC™**  
THINKING FOR THE BUILDER



03 5821 7277