

Mechanical Entrance Locksets



We take the worry out of
protecting what's valuable to you.
Lockwood: *no worries*[®]

LOCKWOOD

ASSA ABLOY

25YEAR MECHANICAL
WARRANTY

www.lockweb.com.au

Contents



Nexion® Mechanical

Entrance Lockset

page 3



Velocity®

Entrance Lockset

page 7



Entrance Locksets

Lever Options

page 11



Entrance Locksets

Accessories

page 13



Paradigm®

Pull Handle Lockset
Deadbolt

page 15



Paradigm®

Pull Handle Lockset
Deadlatch

page 17



Paradigm®

Pull Handle Lockset
Dummy Handle

page 19

Nexion® Mechanical Entrance Lockset



The Nexion Entrance Lockset represents the next generation in home security.

Designed and manufactured to the highest quality standard, the Lockwood Nexion range has set the benchmark for safety, security and style.

Available in two furniture plate styles, Vision or Classic and a choice of up to 7 designer levers, you can customise your front door suite to suit your own individual style.

Features and Specifications

- Three mode security: Secure, Safety and Passage mode provides excellent security without compromising convenience
- LockAlert® indicator shows lock status at a glance
- SafetyRelease™ automatically unlocks the inside handle upon entry to minimise the risk of being locked in
- High security latch
- Box strike with concealed crossgrain door frame strengthening screw
- Can be keyed alike to other Lockwood door locks as well as builder's key systems

Product Details

Backset	60mm as supplied 70mm optional (order part 530-222SC)
Case	High purity zinc alloy
Door Thickness	35 to 45mm
Finishes*	Satin Chrome (SC) Satin Pearl (SP) Chrome Plate (CP)
Handles*	Up to 7 Lever Designs
Latch	13mm projection brass bolt
Strike	Box strike with concealed crossgrain door frame strengthening screw
Templates	Installation template included
Handing	Adjustable handing by set screw
Cylinder	Internal and external. 5 pin tumbler mechanism with 6 pin capability. Brass cylinders and brass barrels.

* See ordering procedure for product range

Standards and Compliance



The locksets can be optioned to suit fire door sets with a fire resistance level of up to 1 hour on fire door assemblies in accordance with Australian Standard AS1905.1:2005 Fire Resistant Doorsets. The fire rated option is achieved with a standard Nexion Vision Entrance Lockset and the optional fire rated kit (order NXVFRKIT). The Nexion Classic does not have an fire rated kit option.

SL7 (Security) Australian Lock Standard (AS4145.2.2008)

D8 (Durability) Australian Lock Standard (AS4145.2.2008)

C5 (Corrosion) Australian Lock Standard (AS4145.2.2008)

CE CE Approved

C C-tick certified

Nexion® Mechanical Entrance Lockset

Keying

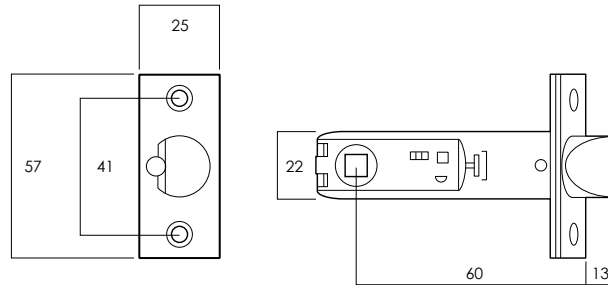
- Supplied individually keyed with two keys per lock
- 78,000 key combinations
- Key blank KB2015P

Restricted Special Keying

Lockwood locks can be keyed to a number of controlled and/or specially keyed systems. These range from legally protected keys to protect against unauthorised duplication, which can also include specially designed key systems such as master key systems, which allow for different levels of mechanical access control.

Please refer to Lockwood Keying Catalogue or contact your local sales office or customer service for specific information.

Latch Dimensions



Kinetic Defence®
Bump and pick resistant.



Deadlatch Bolt
13mm projection
brass bolt.



SafetyRelease™
Minimises the risk of being
locked in.



2 Keys Included
Can be keyed alike to other
Lockwood door locks.



LockAlert®
Interior Indicator shows
lock status at a glance.



Quick Installation
Suitable for door thicknesses
between 35–45mm.



Safety Mode
Securely locked from outside
and free from inside.



Retrofittable
Fits majority of doors with
54mm hole.



Secure Mode
Securely locked from both
inside and outside. For when
nobody is home.



Passage Mode
Free to enter from outside
and free to exit from inside.

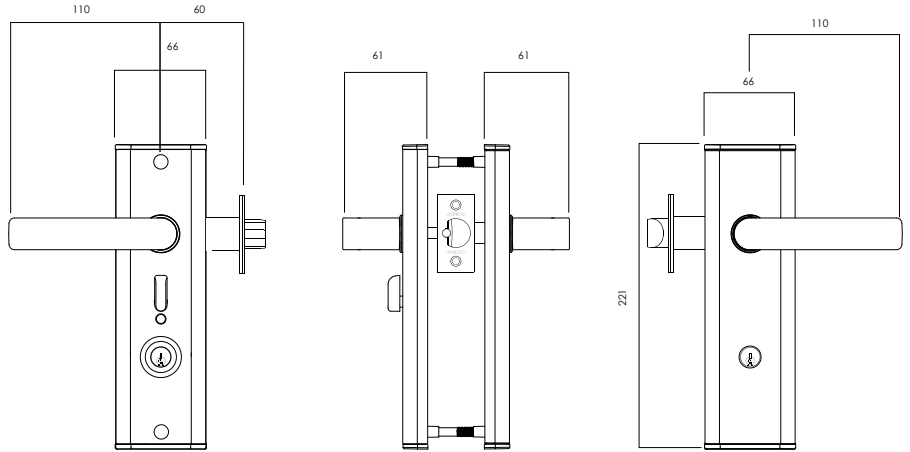
Nexion® Mechanical Entrance Lockset

Nexion Vision - Double Cylinder



Exterior

Interior

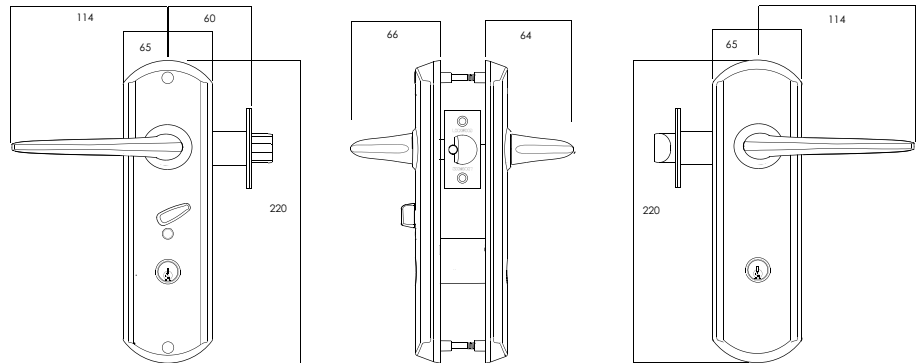


Nexion Classic - Double Cylinder



Exterior

Interior



Nexion® Mechanical Entrance Lockset

Ordering Procedure

Sample part number NXV12/1L1CP is made up of several sections. Choose your product by selecting an option from each section.

Nexion® Vision Entrance Locksets

Series	Function	Cylinders	App. Options	Levers	Finish	Keying
NXV	1	2	1	L1	CP	

Series	Cylinders	Levers	Keying
Nexion Vision NXV	Dummy Set 0 Double 2	Summit L1 Spire L2 Element L3 Glide L4 Hakea 28 Acacia 29A* Saltbush 34	Keyed to Differ (Standard) Keyed Alike 5 Pins 5KA Project Keyed 5 Pins 5PK Restricted Profile 5 Pins 5RP Keyed Alike 6 Pins 6KA Project Keyed 6 Pins 6PK

Function	Application Options
Mechanical 1 Dummy* 4	Timber Frame Strike* 1

*Only available with L3 Lever and SC finish

*Metal Frame T-Strike optional (order part NX8/40SC)

*Lever 29A only in SC and CP finishes

*For Fire Rated Nexion Vision option (order part NXVFRKIT)

Finish
Satin Chrome SC Satin Pearl SP Chrome Plate CP

Nexion® Classic Entrance Locksets

Series	Function	Cylinders	App. Options	Levers	Finish	Keying
NX	1	2	1	L1	CP	

Series	Cylinders	Levers	Keying
Nexion Classic NX	Double 2	Summit L1 Spire L2	Keyed to Differ (Standard) Keyed Alike 5 Pins 5KA Project Keyed 5 Pins 5PK Restricted Profile 5 Pins 5RP Keyed Alike 6 Pins 6KA Project Keyed 6 Pins 6PK

Function	Application Options
Mechanical 1	Timber Frame Strike 1

Finish
Satin Pearl SP Chrome Plate CP

Velocity® Entrance Lockset



The Velocity Entrance Lockset is the latest development in the Entrance Lockset range.

Designed and manufactured to Australian Standards, the Velocity Entrance Lockset provides a simple and functional entrance lock to complement the Velocity Door Handle range.

Features and Specifications

- Easy Installation, retrofits most common front door preparations
- Allen key fixing screws for improved security and appearance
- Three mode of security: Secure, Safety and Passage mode provides excellent security without compromising convenience
- High security latch
- Box strike with concealed crossgrain door frame strengthening screw
- Designed to be keyed to builder's key systems, keyed alike or keyed to differ

Product Details

Backset	60mm as supplied 70mm optional (order part 530-222SC)
Case	High purity zinc alloy
Door Thickness	35 to 45mm
Finishes	Satin Chrome (SC)
Handles	Lever 3
Latch	13mm projection brass bolt
Strike	Box strike with concealed crossgrain door frame strengthening screw
Templates	Installation template included
Handing	Adjustable handing by set screw
Cylinder	Internal and external 5 pin tumbler mechanism with 6 pin capability Brass cylinders and brass barrels

* See ordering procedure for product range

Standards and Compliance

SL7	(Security) Australian Lock Standard (AS4145.2.2008)
D8	(Durability) Australian Lock Standard (AS4145.2.2008)
C5	(Corrosion) Australian Lock Standard (AS4145.2.2008)
CE	CE Approved

Velocity® Entrance Lockset

Keying

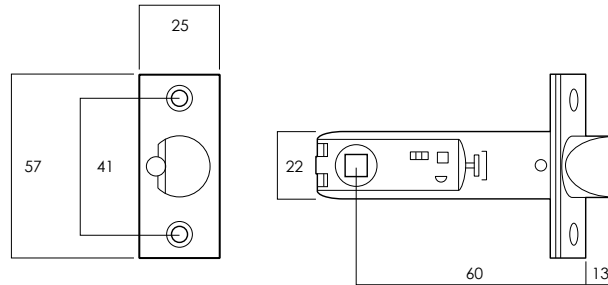
- Supplied individually keyed with two keys per lock
- 78,000 key combinations
- Key blank KB2015P

Restricted Special Keying

Lockwood locks can be keyed to a number of controlled and/or specially keyed systems. These range from legally protected keys to protect against unauthorised duplication, which can also include specially designed key systems such as master key systems, which allow for different levels of mechanical access control.

Please refer to Lockwood Keying Catalogue or contact your local sales office or customer service for specific information.

Latch Dimensions



Kinetic Defence®
Bump and pick resistant.



Quick Installation
Suitable for door thicknesses between 35–45mm.



SafetyRelease™
Minimises the risk of being locked in.



Deadlatch Bolt
13mm projection brass bolt.



Safety Mode
Securely locked from outside and free from inside.



2 Keys Included
Can be keyed alike to other Lockwood door locks.



Secure Mode
Securely locked from both inside and outside. For when nobody is home.



Retrofitable
Fits majority of doors with 54mm holes.



Passage Mode
Free to enter from outside and free to exit from inside.

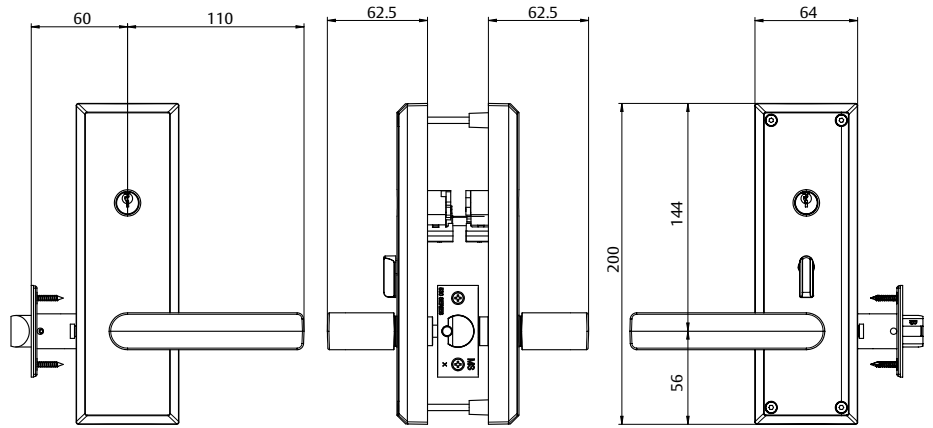
Velocity® Entrance Lockset

Velocity - Double Cylinder



Exterior

Interior



Velocity® Entrance Lockset

Ordering Procedure

Sample part number VELO/L3SCDP is made up of several sections. Choose your product by selecting an option from each section.

Velocity® Entrance Lockset

Series	Function	Levers	Finish	Packaging	Keying
VEL	0	L3	SC	DP	

Series	Lever	Keying
Velocity VEL	Element L3	Special Keying - Residential Only Keyed Alike 5 Pins 5KA
		Project Keyed 5 Pins 5PK
		Restricted Profile 5 Pins 5RP
		Keyed Alike 6 Pins 6KA
		Project Keyed 6 Pins 6PK
		No Cylinder NOCYL

Function	Finish	Packaging
Entrance Lockset 0	Satin Chrome SC	Display Pack DP
		Trade Pack

**Keying variants only available in Trade Pack*

Entrance Locksets - Lever Options

Summit®- L1

Part Number

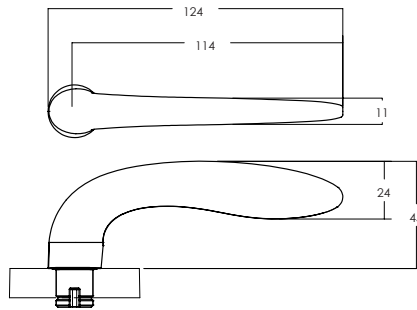
Diameter 124mm

Maximum Projection 65mm

Velocity Entrance X

Nexion Classic ✓

Nexion Vision ✓



Spire®- L2

Part Number

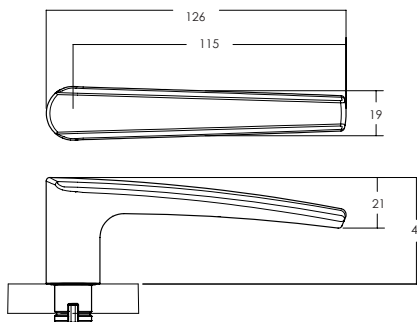
Diameter 126mm

Maximum Projection 65mm

Velocity Entrance X

Nexion Classic ✓

Nexion Vision ✓



Element™ - L3

Part Number

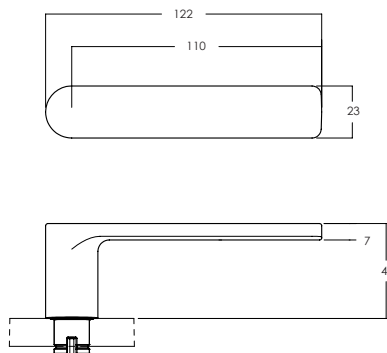
Diameter 122mm

Maximum Projection 62mm

Velocity Entrance ✓

Nexion Classic X

Nexion Vision ✓



Glide™ - L4

Part Number

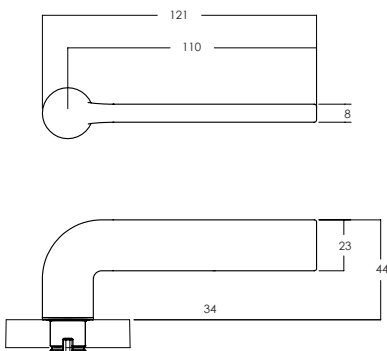
Diameter 121mm

Maximum Projection 64mm

Velocity Entrance X

Nexion Classic X

Nexion Vision ✓



Entrance Locksets - Lever Options

Hakea® - 28

Part Number

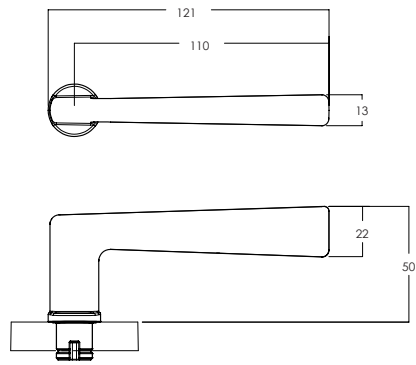
Diameter 121mm

Maximum Projection 70mm

Velocity Entrance **X**

Nexion Classic **X**

Nexion Vision **✓**



Acacia® - 29A

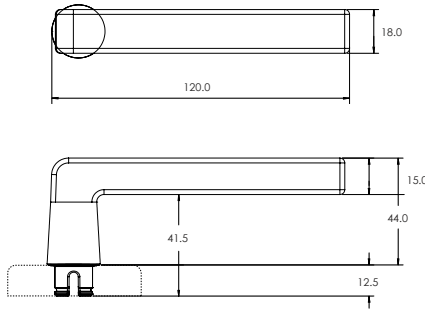
Length 121mm

Maximum Projection 64mm

Velocity Entrance **X**

Nexion Classic **X**

Nexion Vision **✓**



Saltbush® - 34

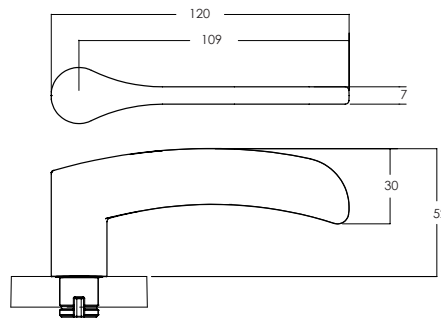
Length 120mm

Maximum Projection 72mm

Velocity Entrance **X**

Nexion Classic **X**

Nexion Vision **✓**



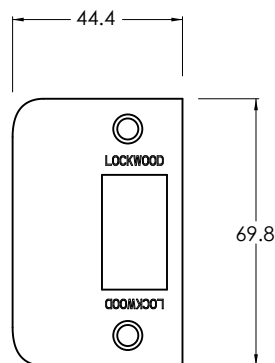
Mechanical Entrance Lockset - Accessories

Standard D-Strike

Part Number NX8/200SSS

Supplied with
2 x Wood Screws

Suitable for timber framed inward and outward doors. Available in trade pack only. Satin Stainless Steel Finish.



Extended Strike Kit

Part Number **Finish**

NX-300SSS Satin Stainless Steel

NX-300PSS Polished Stainless Steel

Short/Extended Lipped Strikes

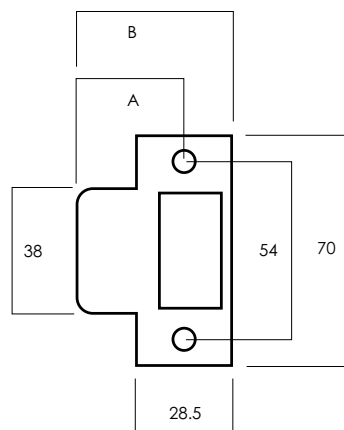
Part Number	Lip Length A	Lip Length B
3772-STK25XX	25.4mm	39.3mm
3772-STK32XX	32mm	46.1mm
3772-STK43XX	43.5mm	57.8mm
3772-STK47XX	47.5mm	61.8mm
3772-STK60XX*	60mm	74.2mm

To order, add finish code to part number.

XX designates the finish.

SS - Stainless Steel, **CP** - Chrome Plate, **PB** - Polished Brass

*Only available in Stainless Steel (**SS**) finish.



Nexion Screw Caps (Pack of 50)

Part Number **Finish**

NX-412SC Satin Chrome

NX-412SP Satin Chrome Pearl

NX-412CP Chrome Plate

Mechanical Entrance Lockset - Accessories

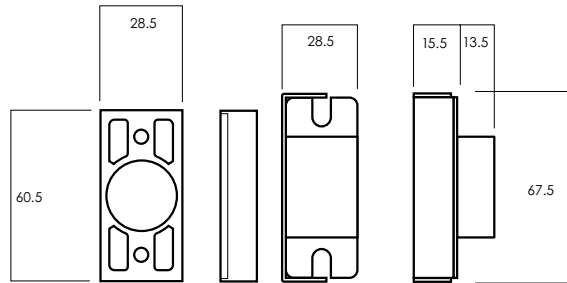
Rebate Kit

Part Number NX8/20SC

Supplied with

- 1x Strike Box
- 1x Latch Packer
- 2x Wood Screws

Suitable for rebated doors. Available in trade pack only Satin Chrome.



530-222SC Latch with 70mm Backet

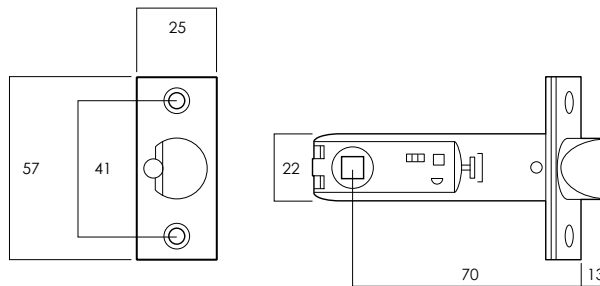
Part Number 530-222SC

Finish Satin Chrome

Supplied with

- 1 x T Strike
- 4 x Wood Screws

Metal frame doors. Available in trade pack only in Satin Chrome.



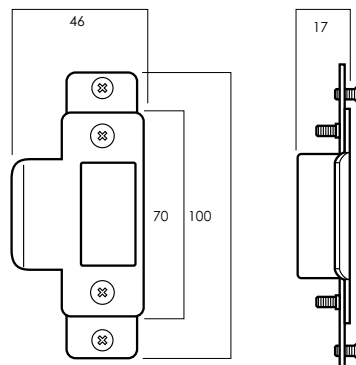
Metal Frame Strike Kit

Part Number NX8/40SC

Supplied with

- 1x T-strike
- 1x Metal Strike Box
- 2x Metal Thread Screws

Metal frame doors. Available in trade pack only in Satin Chrome.



Nexion Vision - Fire Rated Kit

Part Number NXVFRKIT

Supplied with

- 1 x Mounting Plate with screws
- 1 x Stainless Steel T-Strike
- 2 x Metal Thread Strike Screws
- 1 x Long Spindle
- 2 x Mounting Screws (46 to 50mm doors)
- 1 x Cylinder Driver
- 1 x Instructions (5036M)

Metal mounting plate for fire rated installations for doors 35mm to 50mm.

Paradigm® Pull Handle Lockset - Deadbolt



The Australian designed Paradigm® Pull Handle Lockset expresses superior state-of-the-art design featuring a contemporary style that delivers exceptional safety and security.

Suitable for residential, new building and renovation market applications.

The Pull Handle lockset incorporates innovative safety features from the Paradigm 005 Deadbolt and is manufactured with high end 304 grade stainless steel that comes in a brushed satin finish.

Key Features

- Three function modes with DualSelect® provides combination of convenience and security
- High security cut resistant stainless steel bolt
- Brushed 304 Grade Stainless Steel Pull Handles
- Concealed screw fixings gives a neat and clean appearance
- Safety Release™ automatically unlocks internal knob upon key entry from outside
- LockAlert® indicator shows lock status at a glance

Restricted Special Keying

Lockwood locks can be keyed to a number of controlled and/or specially keyed systems. These range from legally protected keys to protect against unauthorised duplication, which can also include specially designed key systems such as master key systems, which allow for different levels of mechanical access control.

Please refer to Lockwood Keying Catalogue or contact your local sales office or customer service for specific information.

Product Details

Dimensions	External handle length - 600mm Internal handle length - 500mm Handle width - 30mm
Backset	60mm-70mm adjustable
Bolt	High security cut resistant
Cylinder	5 pin tumbler mechanism Brass cylinder and brass barrel
Door Thickness	32 - 48mm 32-36mm doors require a spacer (Included)
Finishes	Satin Stainless Steel (SSS)
Materials	304 Grade Stainless Steel
Strike	Box strike with concealed crossgrain door frame strengthening screw
Magnets	Door Magnets included to hold the door(s) in position when in passage mode (free to enter from outside and free to exit from inside)
Keying	<ul style="list-style-type: none"> • Supplied individually keyed with two keys per lock • 78,000 key combinations • Key blank KB2015P

Standards and Compliance

SL8	(Security) Australian Lock Standard (AS4145.2 - 2008)
D8	(Durability) Australian Lock Standard (AS4145.2 - 2008)
C6	(Corrosion) Australian Lock Standard AS4145.2 - 2008)
K5	(Key Security) Australian Lock Standard AS4145.2 - 2008)

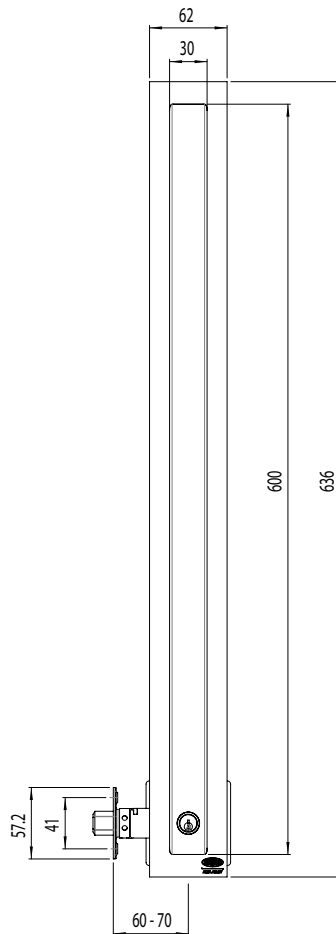
Paradigm® Pull Handle Lockset - Deadbolt



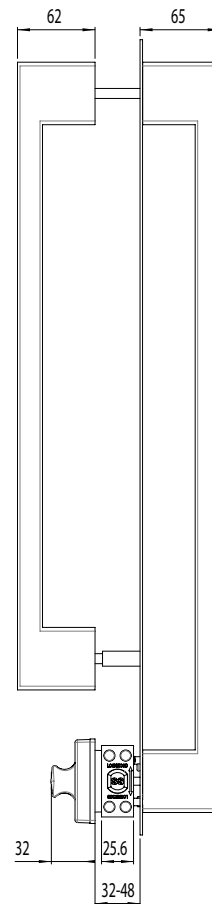
Exterior

Interior

Pull Handle Lockset

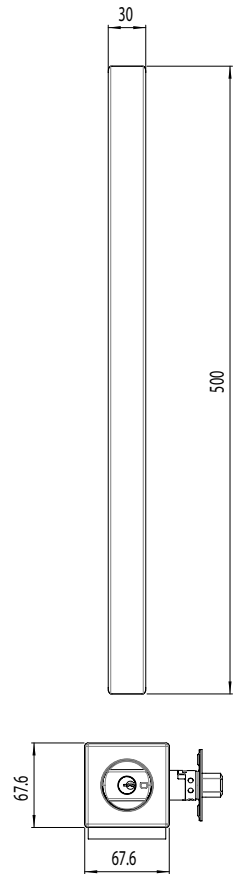


Exterior View



Door Thickness

Side View



Interior View



DualSelect®
Turn the key for safety mode. Turn the key further to select secure mode.



SafetyRelease™
Minimises the risk of being locked in.



Corrosion Resistant
Successfully tested in accordance with AS2332.3.1:2001 neutral salt spray test.



Kinetic Defence®
Bump and pick resistant.



Counterbalance Bolt
Proportionally distributes the load between the door and door frame.



2 Keys Included
Can be keyed alike to other Lockwood door locks.



Door Thickness
32mm to 48mm.



LockAlert®
Interior Indicator shows lock status at a glance.



Safety Mode
Securely locked from outside and free from inside.



Secure Mode
Securely locked from both inside and outside. For when nobody is home.



Passage Mode
Free to enter from outside and free to exit from inside.

Paradigm® Pull Handle Lockset - Deadlatch



Interior View - Single Cylinder Shown



The Australian designed Paradigm® Pull Handle Lockset expresses superior state-of-the art design featuring a contemporary style that delivers exceptional safety and security. The Paradigm® Pull Handle latching lockset is available in single and double cylinder variants.

Both variants are specifically designed for semi-commercial and apartment building applications. The locksets have been successfully tested up to 2 hours (depending on the type of doorset) on fire assemblies in accordance with Australian Standard AS1905.1-2005, part 1: Fire Resistant Doorset.

The Pull Handle lockset applies the innovative safety features from the Paradigm 005 Deadbolt into a latching lockset and is manufactured with high end 304 grade stainless steel that comes in a brushed satin finish.

Key Features

- High security cut resistant Stainless Steel latch
- Brushed 304 grade Stainless Steel Pull Handle
- Concealed screw fixings for a neat and clean appearance
- Safety Release™ automatically unlocks internal knob upon key entry from outside*
- LockAlert® indicator shows lock status at a glance*

*Only available in double cylinder variant

Restricted Special Keying

Lockwood locks can be keyed to a number of controlled and/or specially keyed systems. These range from legally protected keys to protect against unauthorised duplication, which can also include specially designed key systems such as master key systems, which allow for different levels of mechanical access control.

Please refer to Lockwood Keying Catalogue or contact your local sales office or customer service for specific information.

Product Details

Dimensions	External handle length - 600mm Internal handle length - 500mm Handle width - 30mm
Backset	60mm
Latch	High security cut resistant Stainless Steel deadlatch
Cylinder	5 pin tumbler mechanism Brass cylinder and brass barrel
Door Thickness	32-48mm 32-36mm require a spacer (included)
Finishes	Satin Stainless Steel (SSS)
Materials	304 Grade Stainless Steel
Keying	<ul style="list-style-type: none"> • Supplied individually keyed with two keys per lock • 78,000 key combinations • Key blank KB2015P

Standards and Compliance



The Paradigm Pull Handle latching Lockset has been successfully tested up to 2 hours (depending on the type of doorset) on fire assemblies in accordance with Australian Standard AS1905.1-2005, part 1: Fire Resistant Doorset for commercial applications.

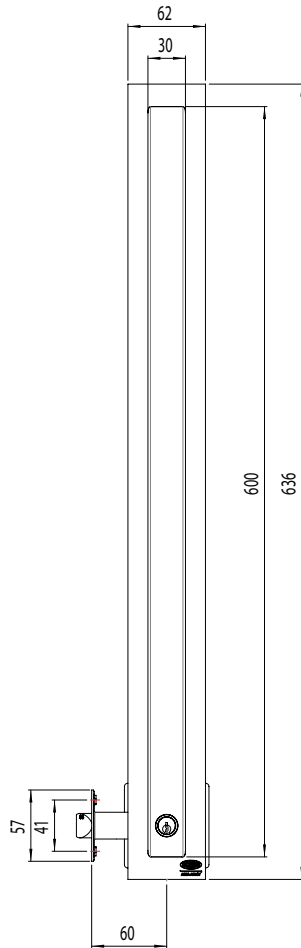
SL7	(Security) Australian Lock Standard (AS4145.2 - 2008)
D8	(Durability) Australian Lock Standard (AS4145.2 - 2008)
C6	(Corrosion) Australian Lock Standard AS4145.2 - 2008)
K5	(Key Security) Australian Lock Standard AS4145.2 - 2008)

Paradigm® Pull Handle Lockset - Deadlatch

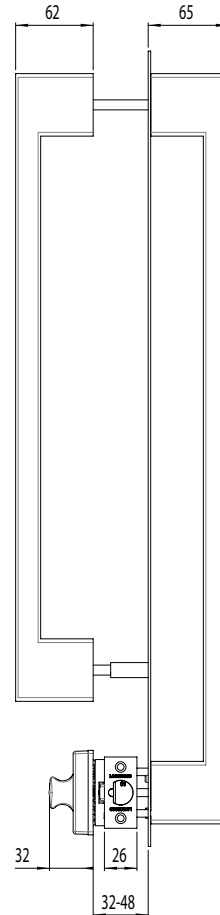


Exterior Interior Double Cylinder Interior Single Cylinder

Pull Handle Lockset

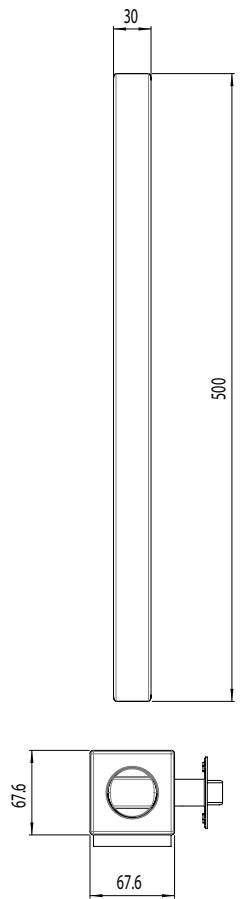


Exterior View



Door Thickness

Side View



Interior View (Single Cylinder)



SafetyRelease™*
Minimises the risk of being locked in.



Door Thickness
32mm to 48mm.



LockAlert®*
Interior Indicator shows lock status at a glance.



Kinetic Defence®
Bump and pick resistant.



2 Keys Included
Can be keyed alike to other Lockwood door locks.



Safety Mode
Securely locked from outside and free from inside.



Corrosion Resistant
Successfully tested in accordance with AS2332.3.1:2001 neutral salt spray test.



Secure Mode*
Securely locked from both inside and outside. For when nobody is home.

* Not available for Single Cylinder variant

Paradigm® Pull Handle Lockset - Dummy Handle



Interior View - Double Cylinder Lockset
with Dummy Handle Shown

The Australian designed Paradigm® Pull Handle Lockset expresses superior state-of-the-art design featuring a contemporary style that delivers exceptional safety and security. The Paradigm® Dummy Handle is designed to be used alongside the Paradigm Pull Handle lockset in double door applications.

Manufactured with high end 304 grade Stainless Steel that comes in a brushed satin finish, the Paradigm Dummy Handle provides premium quality with contemporary styling for modern double door entrances.

Key Features

- Brushed 304 grade Stainless Steel Pull Handle
- Concealed screw fixings for a neat and clean appearance

Product Details

Dimensions	External handle length - 600mm Internal handle length - 500mm Handle width - 30mm
Door Thickness	32-48mm
Finishes	Satin Stainless Steel (SSS)
Materials	304 Grade Stainless Steel

Paradigm® Pull Handle Lockset - Dummy Handle

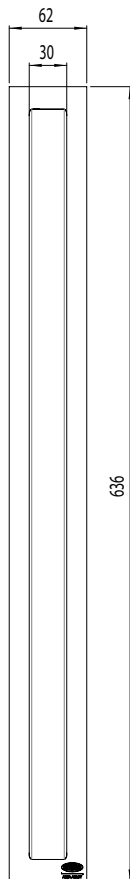


Exterior

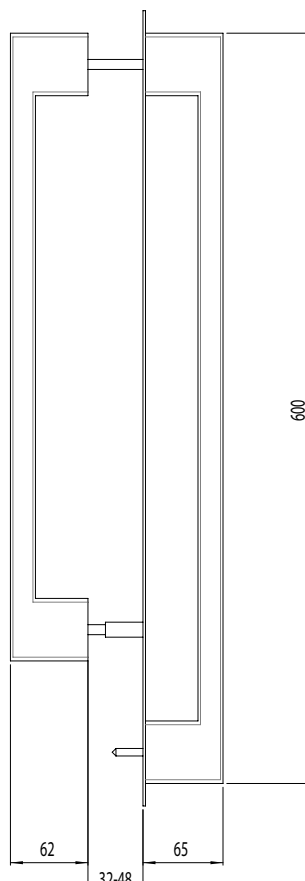
Interior

Dummy Handle

(Non-functioning) for double door application.

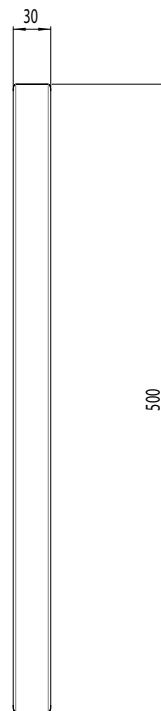


Exterior View



Door Thickness

Side View



Interior View



Corrosion Resistant

Successfully tested in accordance with AS2332.3.1:2001 neutral salt spray test.



Door Thickness

32mm to 46mm.

Paradigm® Pull Handle Locksets

Ordering Procedure

Sample part number 005/DPHBSSS5PK is made up of several sections. Choose your product by selecting an option from each section.

Paradigm® Pull Handle Locksets

Series	Type	Finish	Keying
005	DPHL	SSS	5PK

Series	Type	Finish	Keying Options																						
Paradigm® Pull Handle 005	<table border="1"> <tr> <td>Double Cylinder Deadbolt</td> <td>DPHB</td> </tr> <tr> <td>Double Cylinder Deadlatch</td> <td>DPHL</td> </tr> <tr> <td>Single Cylinder Deadlatch</td> <td>SPHL</td> </tr> <tr> <td>Dummy Handle</td> <td>PHD</td> </tr> </table>	Double Cylinder Deadbolt	DPHB	Double Cylinder Deadlatch	DPHL	Single Cylinder Deadlatch	SPHL	Dummy Handle	PHD	<table border="1"> <tr> <td>Satin Stainless Steel</td> <td>SSS</td> </tr> </table>	Satin Stainless Steel	SSS	<table border="1"> <tr> <td colspan="2">Keyed to Differ (Standard)</td> </tr> <tr> <td>Special Keying-Residential Keyed Alike 5P</td> <td>5KA</td> </tr> <tr> <td>Keyed Alike 6P</td> <td>6KA</td> </tr> <tr> <td>Project Keyed 5P</td> <td>5PK</td> </tr> <tr> <td>Project Keyed 6P</td> <td>6PK</td> </tr> <tr> <td>Restricted Profile 5P</td> <td>5RP</td> </tr> </table>	Keyed to Differ (Standard)		Special Keying-Residential Keyed Alike 5P	5KA	Keyed Alike 6P	6KA	Project Keyed 5P	5PK	Project Keyed 6P	6PK	Restricted Profile 5P	5RP
Double Cylinder Deadbolt	DPHB																								
Double Cylinder Deadlatch	DPHL																								
Single Cylinder Deadlatch	SPHL																								
Dummy Handle	PHD																								
Satin Stainless Steel	SSS																								
Keyed to Differ (Standard)																									
Special Keying-Residential Keyed Alike 5P	5KA																								
Keyed Alike 6P	6KA																								
Project Keyed 5P	5PK																								
Project Keyed 6P	6PK																								
Restricted Profile 5P	5RP																								



ASSA ABLOY

Lockwood is the leading brand in the Australian locking industry. With an established reputation for high quality products, this iconic brand provides a wide range of locking solutions to residential housing, commercial, semi-commercial, building and industrial application markets. Lockwood is supported by an extensive distribution and after-sales support network. Our customers include retailers, architects, trade and industrial personnel, locksmiths and security dealers.

ASSA ABLOY is the global leader in door opening solutions, dedicated to satisfying end-user needs for security, safety and convenience.

ASSA ABLOY is represented in all major regions, in both mature and emerging markets, with leading positions in Australia, Europe and North America.

**25YEAR
MECHANICAL
WARRANTY**

The Lockwood 25 Year Mechanical Warranty

Our belief that we manufacture the finest premium products available in today's market place is backed by the Lockwood 25 Year Mechanical Warranty, ensuring that Lockwood continues to keep Australians safe by delivering security and peace of mind.

For warranty terms and conditions, please visit www.lockweb.com.au or call **1300WARRANTY**

ASSA ABLOY Australia Pty Ltd
235 Huntingdale Road
Oakleigh, Victoria, 3166
Australia

1300 LOCK UP (1300 562 587)
lockweb.com.au

ASSA ABLOY New Zealand Ltd
6 Armstrong Road
Albany, Auckland, 0632
New Zealand

info.nz@assaabloy.com
Telephone +64 9415 7111
assaabloy.co.nz



30 Byass Street
Shepparton
03 5821 7277

Disclaimer

Whilst every effort has been made to ensure that the information (including product images and drawings) contained in this brochure is accurate at the time of publication, ASSA ABLOY Australia Pty Limited ("ASSA ABLOY") recommends that you consult ASSA ABLOY or its agents prior to placing an order to ascertain current information on specific products, as ASSA ABLOY reserves the right to make changes without notice. ASSA ABLOY will not be liable for any injury, loss or damage whatsoever, arising from any errors or omissions in the information contained in the brochure or arising from the use or application of the information contained herein. © 2017 copyright by ASSA ABLOY All rights reserved

