

Roofing • Walling • Rainwater • Structural Products • Fencing

Stramit

Building Products



Southern Region

KNOXFIELD (03) 9237 6300 • ADELAIDE (08) 8219 2000 • ALBURY (02) 6092 3700
BENDIGO (03) 5448 6400 • HOBART (03) 6262 8888

Stramit 
CONSIDER IT DONE

Roofing & Walling

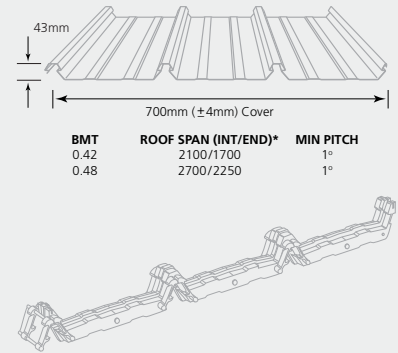


Stramit Speed Deck Ultra®

Stramit Speed Deck Ultra® decking is a revolutionary concealed fixed roof decking system with unrivalled wind load performance. The wide 700mm cover and unique full-length clip rails provide speed of installation and automatic bird-proofing at all fixing points.

- Available in the full colour range

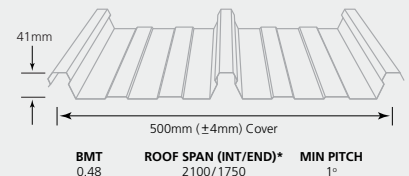
Stramit Farlap® units are a unique low profile sealing assembly designed exclusively for lap joints of Stramit Speed Deck Ultra® decking. These easy-to-install snap on units provide an ideal solution for long run lengths and restricted access sites.



Stramit Speed Deck® 500

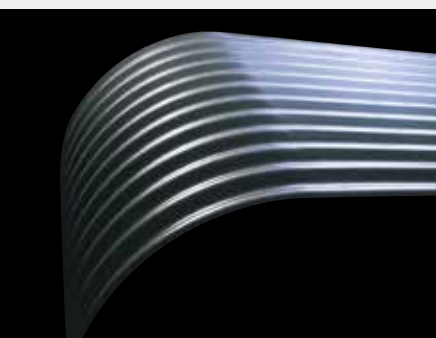
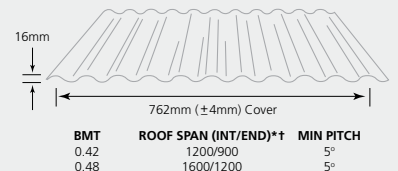
Stramit Speed Deck®500 decking is a wide cover, concealed fix roof deck which provides for a smart appearance together with positive securing under all weather conditions. Quick installation, bold rib design, a minimum pitch of 1° ensure Stramit Speed Deck®500 decking remains popular and versatile.

- Check colour availability.
- Allow for longer lead-times.
- Available Tasmania only



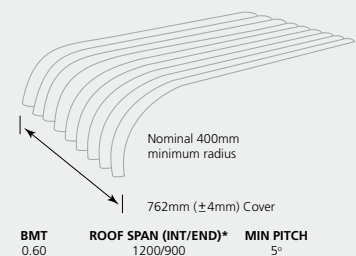
Stramit® Corrugated

Stramit® Corrugated sheeting is a traditional profile available in a range of colours. With wide cover for quick installation and easy handling, plus a minimum 5° pitch, Stramit® Corrugated sheeting suits traditional and contemporary roof designs.



Stramit® Bullnosing & Curving

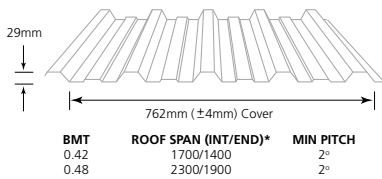
Stramit® Bullnosing and Curving expands the versatility of Stramit® Corrugated roofing. Stramit® Bullnosed and Curved sheeting is aesthetically pleasing, comes in a variety of shapes and is easily fixed.



* Roof spans shown are for 'normal' residential conditions and must not exceed those for N2 wind conditions as defined in AS4055.

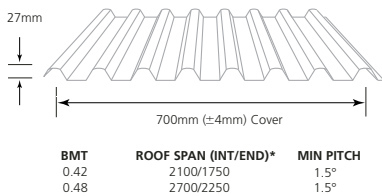
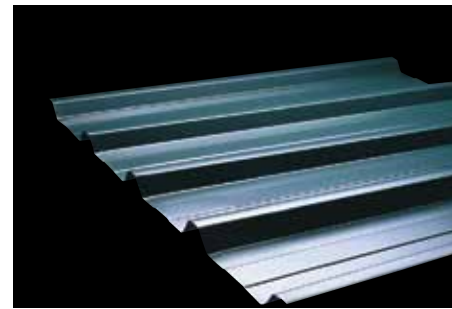
† Where pitch <10°, use either reduced spans or 5 fasteners per sheet in corner areas.

Roofing & Walling



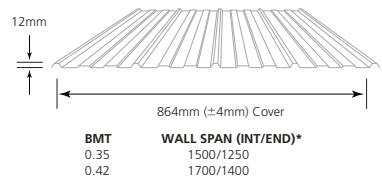
Stramit Monoclad®

Stramit Monoclad® cladding combines economy and practicality with modern design to produce a lightweight, attractive roof and wall profile. The deep ribs provide excellent spanning and high water carrying capacity. The minimum roof pitch of 2° allows for a diverse range of design options.



Stramit® Longspan

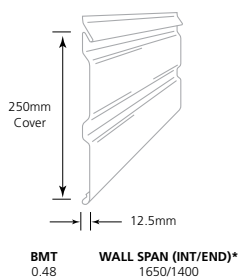
Stramit Longspan® cladding is a good looking, long spanning, high strength roof and wall sheet. Conventional pierce-fixing with only four fasteners per sheet maximises performance and speeds up installation. Minimum roof pitch of 1.5° saves on supporting structure and provides design flexibility.



Stramit K-Panel®

Stramit K-Panel® cladding is a low-cost, easy-fix cladding with a broad 864mm cover and low rib height, making it ideal for garage doors, soffit linings, fascias and other cladding applications.

- Not suitable for roofing.
- Maximum recommended length 6.0m.



Stramit Monopanel®

Stramit Monopanel® cladding is an attractive, durable system of interlocking panels incorporating completely concealed fasteners. Stramit Monopanel® cladding looks great in both horizontal and vertical applications.

- Not suitable for roofing.
- Maximum recommended length 6.0m.



* Roof and wall spans shown are for 'normal' residential conditions and must not exceed those for N2 wind conditions as defined in AS4055.

Rainwater Products

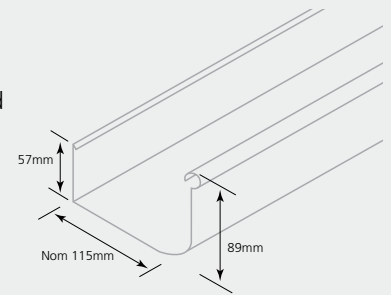


Stramit® Quad Gutter

The traditional shape for new installations or to match existing gutter, Stramit® Quad Gutter is easy to work with and has plenty of impact resistance from its hi-tensile steel base.

Available in a full range of colours and finishes – plain and slotted. A full range of accessories is available including cast angles – 90° + 45°.

- Cut to exact length available.
- Optional slotted.
- Also available in 0.55BMT G300 mild steel.



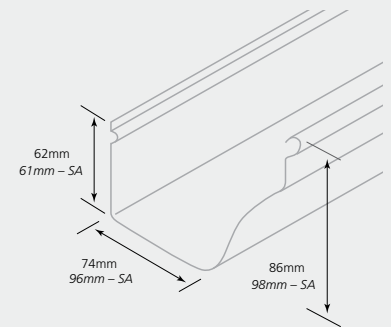
Stramit® O-Gee Gutter

An attractive and practical profile for the Australian colonial roof. Available from Stramit Building Products cut to length, it's an economical way to buy just what you need for the job. A full range of accessories is also available for this popular profile.

Stramit® O-Gee gutter's distinctive shape is enhanced with COLORBOND® colours.

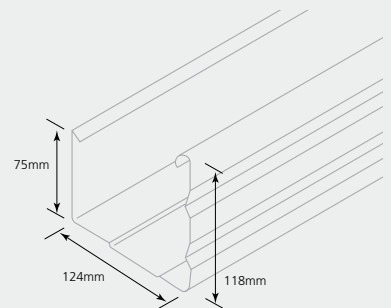
SA dimensions are for South Australian product only.

- Cast angles 90°.



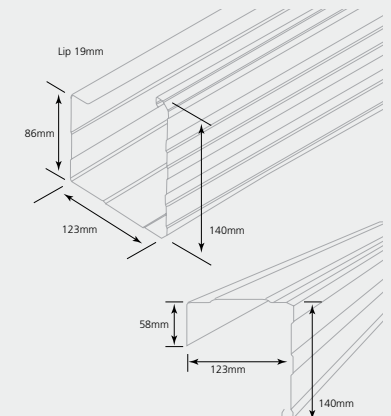
Stramit® Easiflow Gutter

The perfect partner to Stramit® domestic roofing is smart Stramit® Easiflow Gutter. Square line design, plenty of rain carrying capacity and optional slots along the high face. This tough Stramit® gutter is manufactured from hi-tensile steel and enhanced for appearance and corrosion resistance with the COLORBOND® range of colours.



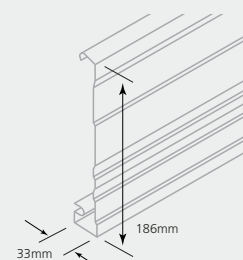
Stramit® Fascia Gutter & Capping

A square feature gutter/capping providing clean appearance and the strength advantages of a stiffened back. The gutter has a large water carrying capacity and a high front (with overflow slots if required) to conceal the edge of the roofline. The capping mitres at the corners neatly to provide a clean finish. Ideal for carports and flat roofs.

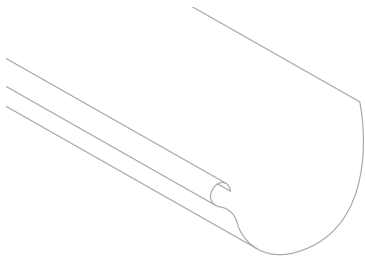


Stramit® Metal Fascia

Hi-Tensile Stramit® Metal Fascia is a precision engineered product, delivered straight and true every time. Plus it never warps, shrinks or splinters. Mix and match metal fascia with the Stramit Building Products range of guttering profiles (Stramit® Quad Gutter, Stramit® O-Gee Gutter, Stramit® Easiflow Gutter) to create a versatile, great looking guttering system.

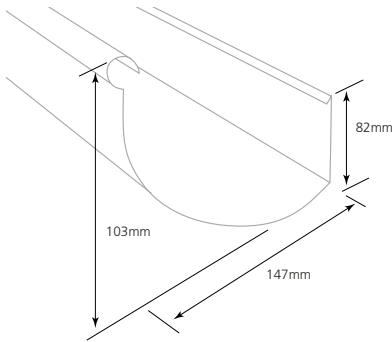


Rainwater Products



Stramit® Half Round Gutter

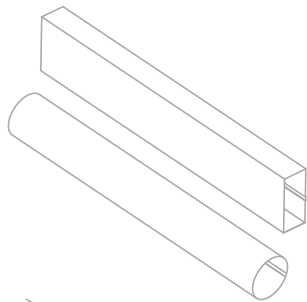
The contemporary profiles of the Stramit® Half-Round and Stramit® Flatback Half-Round provide huge water-carrying capacity and can also be supplied with overflow slots. The gutters are available in a wide range of colours with a complete range of accessories.



Stramit® 150 Flat-Back Half Round Gutter

Flat-Back Half Round Gutter offers a smooth, clean appearance, free of external support brackets. The curved shape of the gutter aids self-cleaning. Installation is fast with snap clips and stiffeners.

Available in a full range of BlueScope COLORBOND® colours plus ZINCALUME®

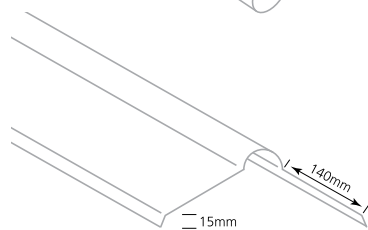
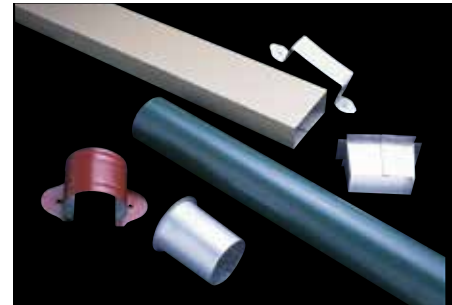


Stramit® Downpipes

Rectangular: Standard sizes 100mm x 50mm and 100mm x 75mm. Also available in 100mm x 100mm, 150mm x 100mm in a range of standard lengths. Available in unribbed front face for 100mm x 50mm and 100 mm x 75 mm sizes.

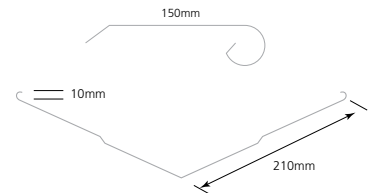
Round: Standard sizes 60mm and 75mm. Also available in 50, 100, 125 and 150mm. Both downpipe styles are complemented by a range of accessories including straps, nozzles, offsets and rainwater heads.

Available in all finishes.



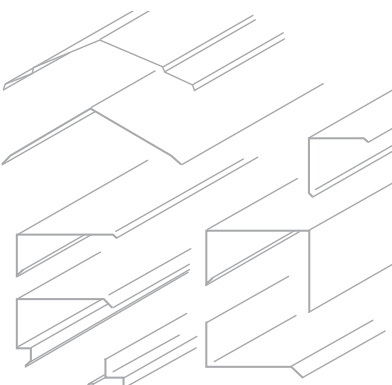
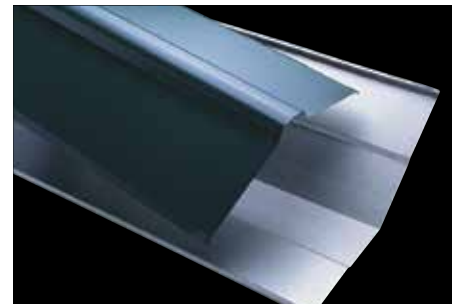
Stramit® Roll Top Ridge

A very attractive product for the roof ridge, available in the full range of finishes.



Stramit® Barge Roll

Barge capping enhances the appearance of traditional corrugated roofs.



Stramit® Valley Flashing

Available in the full range of colours to match your preferred roof sheeting.

Stramit® Flashing Range

Stramit Building Products has a range of flashing including vee ridge capping, barge caps, corner trims and foot moulds to enhance any gutter or roofing profile and any architectural style. All available in ZINCALUME®, COLORBOND®

- Available cut to length up to 8.0m.



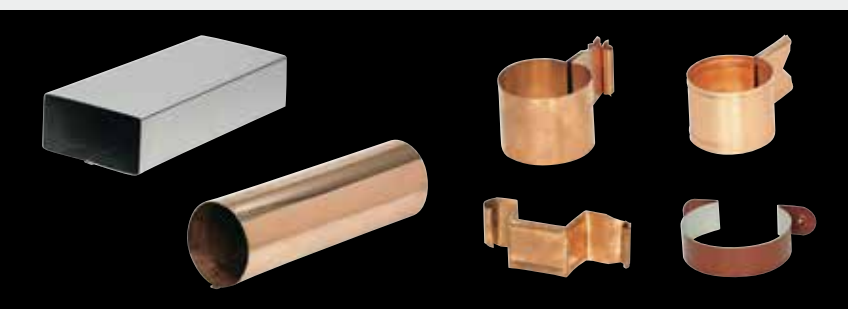
Custom Products



Rainwater Heads

To order rainwater heads, supply detailed drawings showing front and side elevations with dimensions and nozzle size. O-Gee rainheads and other complex designs (such as intersecting curved surfaces) in COLORBOND® steel require a large number of exposed rivets (COLORBOND® and ZINCALUME® steel cannot be soldered). Soldered rainheads can be supplied with wet coat paint in matched COLORBOND® colours. Rainheads are also available with fully welded joints in 1.2 - 2.0mm.

Materials: COLORBOND®, ZINCALUME®, Copper, Stainless Steel, Aluminium, Zinc, Galvanised*.



Downpipes & Astragals

Downpipes can be made in various profiles in lengths up to 2.4 metre. Larger diameters (175mm and larger) maximum length 1.8 metres. Shoes, elbows and other fabricated shapes available to order. Copper astragals can be made with beading and scrolling to match existing heritage astragals. Provide samples or detailed drawings.

Materials: COLORBOND®, ZINCALUME®, Copper, Stainless Steel, Aluminium, Zinc, Galvanised*.



Awnings, Vents & Louvres

Roof vents, dormers, finials, window awnings and louvered wall vents can be made to specification in most materials. Provide detailed drawings or talk to your local Stramit Building Products branch about the design possibilities.

Materials: COLORBOND®, ZINCALUME®, Copper, Stainless Steel, Aluminium, Zinc, Galvanised*.



Stramit® Modular Steel Fencing

Stramit Steel Fencing is made from high quality steel in a wide range of designer colours to suit any home, garden or lifestyle. Stramit Fencing is available in traditional and sawtooth profiles, requires low maintenance and is fire and termite resistant.



Taurean® Roller Doors

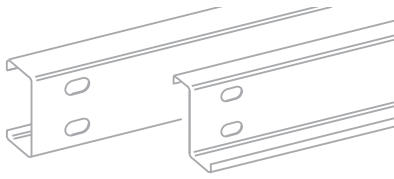
The ideal solution for all domestic applications, including garages and sheds of all shapes and sizes.

Taurean® Light Industrial Roller Doors deliver the rugged reliability and security needed for commercial and industrial applications such as warehouses and factories.

All Taurean® Roller Doors for domestic and commercial applications can be supplied with optional motor drives and remote controls.

* Drainage from one material into another can cause premature corrosion. Please check with your nearest Stramit office for details.

Structural Products

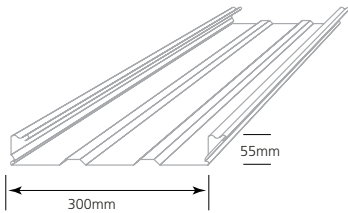


Punched and Unpunched available

Stramit® C&Z Purlins

Stramit Building Products offers a huge range of purlins, including 100, 150, 200, 250, 300, 350 and 400 series in both C and Z profiles, and Stramit Exacta® C&Z purlins, for use as roof purlins or wall girts, all cut to length. Heavy duty Z350 Galvaspan® coating ensures long-term protection. Stramit Building Products has the unique ability to provide lappable downturn-lip Z purlins. Stramit Building Products also offers a snap-in purlin bridging system for quick installation.

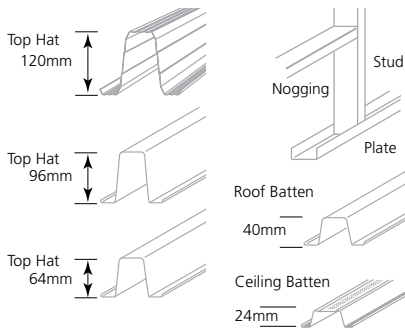
- Ex-Facta™ design software for Exacta® purlins available



Stramit Condeck HP®

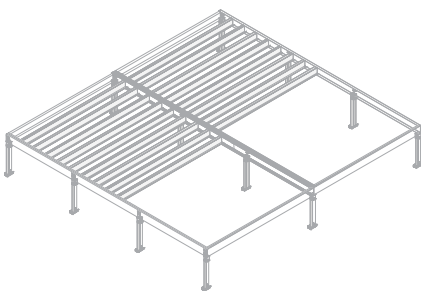
Permanent metal formwork for suspended concrete slabs. Stramit Condeck HP® steel decking is supplied to site cut-to-length for speedy installation. Saves on formwork costs and provides a ready-finished ceiling.

- Edgeform available in various sizes up to 8.0m long.



Stramit® Lightweight Structural Sections

Stramit manufactures a range of Top Hats, Roof Battens, Ceiling Battens and Stud Sections for domestic roofing, garages, sheds, partitioning, etc.



Stramit® Steel Flooring

The system combines Stramit® structural members with Steel-MAX™ brackets and accessories.

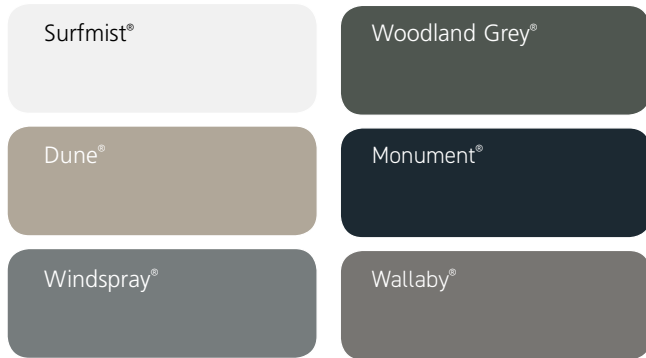
Stramit® steel floor framing offers significant savings through its simplicity and speed of installation.

Now you can order a complete steel sub-flooring package, individually designed, engineered, certified, and delivered with all required components.



Premium finishes

COLORBOND® Ultra Steel



COLORBOND® Stainless Steel



COLORBOND® Metallic Steel



Many colours and finishes are kept in stock for fast manufacture and delivery. However, some colours and finishes require longer lead times and, in some cases, minimum order quantities. Check with your Stramit Building Products representative before ordering.

Note that not all products are available in all finishes.

The COLORBOND® prepainted steel colours shown in this brochure have been reproduced to represent actual product colours as accurately as possible. However we recommend checking your chosen colour against an actual sample of the product before purchasing as varying light conditions and limitations of the printing process affect colour tones.

Distributed by

Standard colours

COLORBOND® Steel Colour Range



The information contained within this brochure is intended for general use and information only. Before application in a particular situation, Stramit recommends that you obtain appropriate independent qualified expert advice confirming the suitability of product(s) and information in question for the application proposed. While Stramit accepts its legal obligations, be aware however that to the extent permitted by law, Stramit disclaims all liability (including liability for negligence) for all loss and damage resulting from the direct or indirect use, or reliance on, the information provided in this brochure.

© Trademarks of Stramit Corporation Pty Limited ABN 57 005 010 195
Trading as Stramit Building Products and Taurean Door Systems. A member of the Fletcher Building Group.
COLORBOND® ZINCALUME® GALVSPAN® and COLORBOND® Colour Names are trademarks of BlueScope Steel Limited. © Stramit Corporation Pty Limited, November 2018.